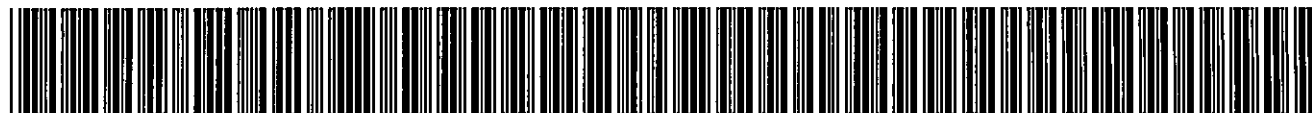
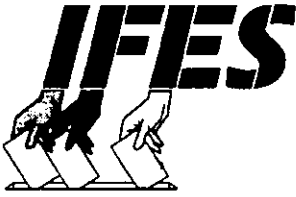


Date Printed: 11/03/2008

JTS Box Number: IFES_13
Tab Number: 26
Document Title: IFES Presidential Election Guidebook
Document Date: 1994
Document Country: Ukraine
IFES ID: R01932



* 2 F E C 4 3 D 3 - C 0 7 4 - 4 B 3 1 - 8 F E 6 - D 9 B F 1 9 4 E E 9 7 0 *



International Foundation for Electoral Systems
Міжнародна Фундація Виборчих Систем

Institutska 27/6, Suite 5, 2nd fl., Kiev, Ukraine • Phone (044) 293-6000 • Fax (044) 293-8029

IFES
PRESIDENTIAL ELECTION
GUIDE BOOK



JUNE 26, 1994

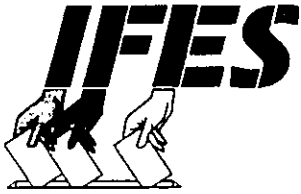
NATIONAL ENDOWMENT FOR DEMOCRACY
LIBRARY

FILES
NIS
.U4
IFES
1994
no.2

Kiev, Ukraine

May, 1994

FILES
NIS
.04
IFES
1994
AD. 2



International Foundation for Electoral Systems Міжнародна Фундація Виборчих Систем

Institutska 27/6, Suite 5, 2nd fl., Kiev, Ukraine • Phone (044) 293-6000 • Fax (044) 293-8029

OVERVIEW

The presidential elections of Ukraine are scheduled for June 26, 1994. The International Foundation for Electoral Systems (IFES) in Ukraine has prepared the following presidential election guide book to inform voters, candidates, parliament, international organizations, NGOs, media and other individuals involved with the electoral and political process in Ukraine.

On June 2, 1994 it was debated during the Supreme Rada of Ukraine's morning session whether to reschedule/postpone the presidential elections. It was decided that the elections would take place on June 26, according to the Election Law of Ukraine on the Election of the President of Ukraine, signed by President Kravchuk earlier this year.

As of June 9, 1,069 nominees are participating in the repeat elections scheduled for July 24 of this year. Regarding the death of newly elected deputy Roman Kuper, okruh No. 364, the scheduled date for the election is September 25, 1994.

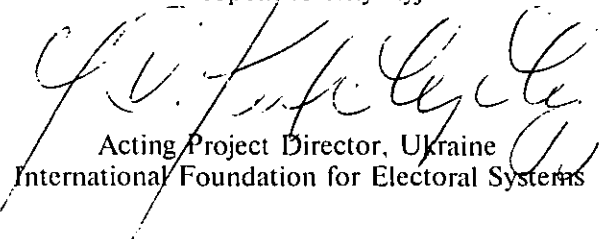
The new Ukrainian parliament convened May 11, 1994 with Chairman Yemets of the Central Election Commission of Ukraine (CEC) opening the session. The total number of seats in parliament is 450. There are 336 certified deputies and the quorum for opening the session as well as the constitutional majority is 226 and the simple majority is 170. On May 18, Oleksander Moroz okruh No. 223, Socialist Party of Ukraine received 171 votes and was elected the new Chairman of the first democratically elected Supreme Rada of Ukraine. This decision was adopted by 242 People's Deputies of Ukraine according to Article 97 of the current Constitution of Ukraine.

Ukraine is currently operating with a Soviet constitution. Although a new Constitution has been drafted, no progress has been made on its adoption and will be one of many challenges facing the new parliament and part of the agenda of many of the candidates for president.

On May 25, the First Deputy Chairman, Oleksander Tkachenko okruh No. 430, Peasant Party, and Deputy Chairman, Oleh Diomin No. 371, Non-Party were confirmed into the presidium by the new parliament.

IFES works with the CEC, NGOs and the international donor and democratic initiative communities to monitor and encourage the transparency of the election process in Ukraine.

Yaropolk Kulchyckyj



Acting Project Director, Ukraine
International Foundation for Electoral Systems

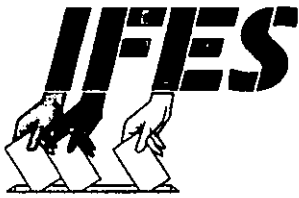
COVER: *The numbers represented in the pictured oblasts refer to the assigned numbers to the Constituency Electoral Commissions created specifically for the election of the President of Ukraine by the Central Election Committee of Ukraine, pursuant to Article 11 of the Election Law for the President of Ukraine.*

NOTE: *The IFES Presidential Election Guide Book is produced by the International Foundation for Electoral Systems ("IFES"). No reproduction of the material contained herein is permitted in whole or in part without the express consent of IFES.*



Kiev, Ukraine

June, 1994



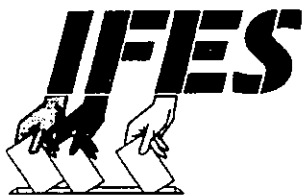
International Foundation for Electoral Systems
Міжнародна Фундація Виборчих Систем

Institutska 27/6, Suite 5, 2nd fl., Kiev, Ukraine • Phone (044) 293-6000 • Fax (044) 293-8029

TABLE OF CONTENTS

I	NEW PARLIAMENT'S DECISION TO HOLD ELECTIONS
II	ELECTION CALENDAR
III	BREAKDOWN: CANDIDATES FOR PRESIDENT OF UKRAINE TOTAL NUMBER OF SIGNATURES COLLECTED BACKGROUNER EXCERPTS FROM PRE-ELECTION PROGRAM SELECTED POINTS FROM PRE-ELECTION PROGRAM BIOGRAPHY COMPLETE PRE-ELECTION PROGRAM
IV	LIST OF CAMPAIGN AGENTS (AUTHORIZED PERSONS)
V	BREAKDOWN: CONSTITUENCY ELECTORAL COMMISSIONS ADDRESSES AND TELEPHONE NUMBERS GRAPHIC ANALYSIS
VI	GRAPH: TOTAL NUMBER OF COLLECTED SIGNATURES
VII	ELECTION LAW OF UKRAINE
VIII	POLLING STATION OBSERVATION FORM COUNTING AND TABULATION OBSERVATION FORM
IX	QUESTIONNAIRE





International Foundation for Electoral Systems
Міжнародна Фундація Виборчих Систем

Institutska 27/6, Suite 5, 2nd fl., Kiev, Ukraine • Phone (044) 293-6000 • Fax (044) 293-8029

**NEW PARLIAMENT'S DECISION
TO HOLD ELECTIONS**

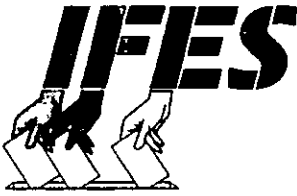
**SUPREME RADA
OF UKRAINE**

It was decided by a vote of parliament
at approximately 11:55 AM on
June 2, 1994 that the presidential elections
will take place on June 26, 1994 pursuant
to the Election Law of Ukraine on the Election
of the President of Ukraine, signed by
President Kravchuk on February 24, 1994.



Oleksandr Moroz
Chairman,
Supreme Rada of Ukraine
Kiev, June 2, 1994





International Foundation for Electoral Systems
Міжнародна Фундація Виборчих Систем

Institutska 27/6, Suite 5, 2nd fl., Kiev, Ukraine • Phone (044) 293-6000 • Fax (044) 293-8029

UKRAINIAN PRESIDENTIAL ELECTION CALENDAR

June, 1994						
Sunday	Monday	Tuesday	Wednesday	Thursday	Friday	Saturday
			1	2	3	4
5	6	7	8	9	10	11
12	13	14	15	16	17	18
19	20	21	22	23	24	25
26	27	28	29	30		

June 6

- Deadline for Constituency Election Commissions to print campaign posters for presidential candidates

June 11

- Deadline for Constituency Election Commissions to inform the Central Election Commission of the number of voters entered onto the voters lists.
- Deadline for the Polling Station Commissions to make voter lists available to the public.

June 15

- Deadline for Constituency Election Commissions to form and train operative groups to ensure prompt obtaining, processing and reporting of election results.

June 16

- Deadline for Polling Station Commissions to send to each voter an invitation to participate in voting.

June 20

- Deadline for Constituency Election Commissions to check the readiness of polling stations and telephone and teletype communication for election day activity.

June 26 (ELECTION DAY)

- Polling stations open at 7 a.m. and close at 8 p.m.
- The Constituency Election Commissions shall send election updates to the Central Election Commission at approximately 12 a.m., 4 p.m. and 8 p.m.

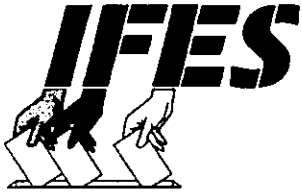
June 27

- The Constituency Election Commissions shall inform the Central Election Commission about the results of voting.

June 29

- Deadline for the Constituency Election Commissions to send protocols and results of voting to the Central Election Commission.





International Foundation for Electoral Systems
Міжнародна Фундація Виборчих Систем

Institutska 27/6, Suite 5, 2nd fl., Kiev, Ukraine • Phone (044) 293-6000 • Fax (044) 293-8029

ELECTION CALENDAR
FOR
THE PRESIDENT OF UKRAINE

July, 1994						
Sunday	Monday	Tuesday	Wednesday	Thursday	Friday	Saturday
					1	2
3	4	5	6	7	8	9
10	11	12	13	14	15	16
17	18	19	20	21	22	23
24	25	26	27	28	29	30
31						

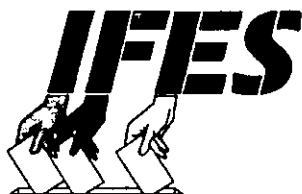
July 3

- Deadline for the Central Election Commission to finalize results of the Presidential Elections.

July 6

- Deadline for the Central Election Commission to publish information about the results of the Presidential Elections.

Note: Forms of electoral documents for Ukraine Presidential Elections for Constituency and Polling Station Election Commissions, except ballots, shall be printed by the Central Election Commission according to the Central Election Commission resolution of March 17, 1994.



International Foundation for Electoral Systems
Міжнародна Фундація Виборчих Систем

Institutska 27/6, Suite 5, 2nd fl., Kiev, Ukraine • Phone (044) 293-6000 • Fax (044) 293-8029

ELECTION CALENDAR
FOR
THE PRESIDENT OF UKRAINE

March, 1994						
Sunday	Monday	Tuesday	Wednesday	Thursday	Friday	Saturday
		1	2	3	4	5
6	7	8	9	10	11	12
13	14	15	16	17	18	19
20	21	22	23	24	25	26
27	28	29	30	31		

March 11

- Deadline for the Central Election Commission to form constituencies for the Presidential Election.

March 18

- Deadline for the Central Election Commission to make public in the press and other mass media the list of constituencies, specifying their names, numbers and centres.

March 23

- Deadline for the formation of Constituency Election Commissions for the Presidential Election.

March 26

- Deadline for the Constituency Election Commissions to submit their decisions to the Central Election Commission for approval, regarding a release of the Chairman, Deputy Chairman, Secretary and one of the commissioners from their permanent jobs for the period of the election campaign.

March 28

- Deadline for Constituency Election Commissions to publish information on their personnel, location, postal address and bank information for donations.

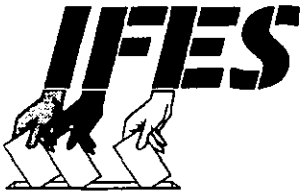
March 28 - April 26, inclusive

- The Central Election Commission shall conduct registration of political parties/electoral blocs for participation in Presidential Elections. Beginning of nomination of candidates for the President of Ukraine by parties, electoral blocs and voter meetings.



Based on CEC Information

May, 1994
Page 1 of 5



International Foundation for Electoral Systems
Міжнародна Фундація Виборчих Систем

Institutska 27/6, Suite 5, 2nd fl., Kiev, Ukraine • Phone (044) 293-6000 • Fax (044) 293-8029

ELECTION CALENDAR
FOR
THE PRESIDENT OF UKRAINE

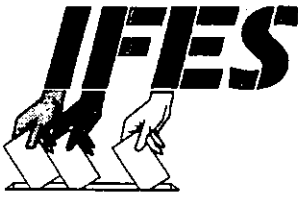
April, 1994						
Sunday	Monday	Tuesday	Wednesday	Thursday	Friday	Saturday
					1	2
3	4	5	6	7	8	9
10	11	12	13	14	15	16
17	18	19	20	21	22	23
24	25	26	27	28	29	30

April 27

- Deadline for the Constituency Election Commissions to form polling stations.

March 28 - April 26, inclusive

- The Central Election Commission shall conduct registration of political parties/electoral blocs for the participation in Ukraine Presidential Elections. Nomination of candidates for the President of Ukraine by the parties/electoral blocs/voters meetings.



International Foundation for Electoral Systems
Міжнародна Фундація Виборчих Систем

Institutska 27/6, Suite 5, 2nd fl., Kiev, Ukraine • Phone (044) 293-6000 • Fax (044) 293-8029

ELECTION CALENDAR
FOR
THE PRESIDENT OF UKRAINE

May, 1994						
Sunday	Monday	Tuesday	Wednesday	Thursday	Friday	Saturday
1	2	3	4	5	6	7
8	9	10	11	12	13	14
15	16	17	18	19	20	21
22	23	24	25	26	27	28
29	30	31				

May 6

- Deadline for collecting signatures in support of nominees for President of Ukraine and submission of signatures to the respective Constituency Election Commissions.

May 12

- Deadline for the formation of Polling Station Commissions.
- Deadline for submitting corrected or supplementary signature lists to the Central Election Commission.

May 16

- Deadline for the Constituency Election Commissions to inform the Central Election Commission of the number of polling stations and their composition.

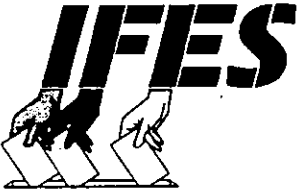
May 17

- Deadline for Constituency Election Commissions to inform voters about the polling stations and premises for voting.

May 26

- Deadline for the Central Election Commission to register presidential candidates.
- Deadline for Polling Station Commissions to compile voter lists in every polling station.





International Foundation for Electoral Systems
Міжнародна Фундація Виборчих Систем

Institutska 27/6, Suite 5, 2nd fl., Kiev, Ukraine • Phone (044) 293-6000 • Fax (044) 293-8029

PRESIDENTIAL CANDIDATE

VALERIY BABYCH

TOTAL NUMBER OF SIGNATURES COLLECTED*

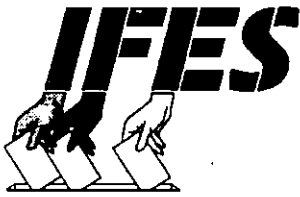


**Pursuant to Article 25 of the Election Law for the President of Ukraine*



Based on CEC Information

May, 1994



International Foundation for Electoral Systems
Міжнародна Фундація Виборчих Систем

Institutska 27/6, Suite 5, 2nd fl., Kiev, Ukraine • Phone (044) 293-6000 • Fax (044) 293-8029

CANDIDATE FOR PRESIDENT OF UKRAINE

VALERIY BABYCH

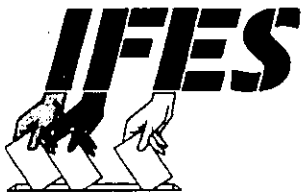


BACKGROUND: April 10, 1994 Elected to Supreme Rada of Ukraine in Dnipropetrovsk, constituency No. 97.
1991 Elected President of Ukrainian Stock Exchange Joint stock company;
1990-March, 1994 Director General of INTERVEST;
1984-1990 Held various positions in Ukrainian state Planning Committee and Ukrainian Council of Ministers;
1977 Invited to work for Young Communist League;
1976 Employed by Ukrainian Council for Research and Study of the Productive Forces, Ukrainian Academy of Sciences.

PERSONAL: Received higher education in economics. Married, with two sons, aged 8 and 16.

EXCERPT FROM PRE-ELECTION PROGRAM

Only a strong and well-organized system of executive power is able to accomplish the urgent tasks that our society is being faced with. I see it as clear vertical headed by the President, who directs work of the government and who shares with the Government all responsibility for the results. I believe, that the people of Ukraine will support my plans, incentives and hopes, as well as the perspective to live in country of high moral standards, social consent, social partnership and respect of a man.



International Foundation for Electoral Systems Міжнародна Фундація Виборчих Систем

Institutska 27/6, Suite 5, 2nd fl., Kiev, Ukraine • Phone (044) 293-6000 • Fax (044) 293-8029

SELECTED POINTS FROM PRE-ELECTION PROGRAM

The primary objective for the President is to provide for the spiritual renaissance of the nation and well-being of every individual.

In case I am elected the President an individual will be placed in the centre of all reforms in the economy. We shall continue only with the reforms that have clear social orientation and that really can improve our living. This is my approach to every law, program or project and their success will depend only on how good they are at guarantees for better living standards and security of the people.

From this angle I will implement the policy of structural reconstruction of the economy, management system, legislative base and practice of privatization, financial, and transformations of the society. In the system of administration we will have no units that are useless for people.

We must do our best to serve the interests of our people, but not be focused too much on the priorities of industrial sectors. A man must not beg from the state what he needs to enjoy a normal full-fledged life, this is the state's utmost responsibility to provide for all this. Employees shall have real regularly paid salaries; those who have retired shall have decent pensions comparable to their work contribution; everyone shall have guaranteed social security. Manufacturers, regardless of the forms of ownership, shall be provided with economically well-grounded and reasonable tax policy, that would stimulate an increase in production and services rendered. People strive for the two main goals. The first, is to acquire property rights on land, means of production and the results of their labour. The second one - is to put an end to the enrichment of a handful of people, who command and hold control of nearly everything, as though it was not created and produced by the whole nation. I will put all my efforts to take distributor functions and mechanisms away from the hands of corrupted bureaucrats and to grant regional, city and local administrative bodies with these functions to make them available for people. We shall change our budget policy, which conflicts with regional and center policy due to poor management of the economy, when growing bureaucracy wastes funds so badly needed to meet local needs, throwing them into 'black holes'. Every citizen in the village or in the city owning land, shares in the enterprise or having acquired any other property in any form, shall have guaranteed protection, the right to dispose it and use collectively or individually.

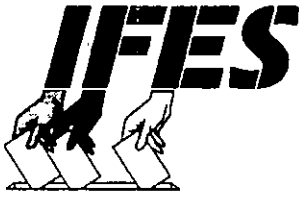
Peasants shall enjoy reliable state support through reasonable price, credit and tax policy, various programmes to assist farming and establishment of social-manufacturing infrastructure in the rural areas.

A strong and stable economy combining best features of both market and state sectors, will provide sufficient resources and potential to protect those, who are unable to earn a living. We shall achieve high and recognized standards in health-care, well-being of the retired, lonely and invalids. I take it as one of my primary objectives to working out and implementing an efficient state policy with regard to the young people, in order to ensure all pre-conditions for children and teenagers to strengthen their spiritual and physical health, as well as to develop their talents and skills, guarantees of access to education, professional training and employment.

We shall achieve social consent and social partnership. We will overcome hardships if entrepreneurs and industrialists, trade-unions, political parties will calm down their ambitions and egotistic interests, but will be more concerned about common objectives: national survival and strengthening of the state in order to achieve real benefits for people.

Only a strong and well-organized system of executive power is able to accomplish the urgent tasks that our society is being faced with. I see it as clear vertical headed by the President, who directs the work of the government and who shares with the Government all responsibility for the results.

I believe, that the people of Ukraine will support my plans, incentives and hopes, as well as support the perspective to live in a country of high moral standards, social consent, social partnership and respect for man.



International Foundation for Electoral Systems
Міжнародна Фундація Виборчих Систем

Institutska 27/6, Suite 5, 2nd fl., Kiev, Ukraine • Phone (044) 293-6000 • Fax (044) 293-8029

VALERIY HEORHIYOVYCH BABYCH

BIOGRAPHY

Born on 25th August 1953 in Brody, Lviv oblast in the family of peasants. Russian by nationality, the roots of his family go back to Kuban cossacks that arrived from Zaporizhzhia Sich. Non-party member. Received higher education in economics as his major. Peoples Deputy of Ukraine. Married. His wife, Babych Ludmyla Oleksandrivna, born in 1952, Ukrainian by nationality, has qualifications as an economist. They have two sons aged 8 and 16. When his study at the Institute was over he was recruited to the military service. In 1976 was employed with the Ukrainian Council for Research and Study of the Productive Forces, Ukrainian Academy of Sciences. In 1977 he was invited to work for Young Communist League (Komsomol) after his success in studying the potential of Ukrainian young labor force. In 1984-90 held various executive positions in Ukrainian State Planning Committee and Ukrainian Council of Ministers. Since 1990 worked in market sector of economy, where he could try in practice his own ideas. He established Association of manufacturers INTERINVEST and took the post of Director General. In 1991 Valeriy Babych was elected President of Ukrainska Birzha (Ukrainian stock-exchange) joint-stock company. Later the company was reorganized to be known as Ukrainian Financial Group. Public activity: President of All-Ukrainian Union of entrepreneurs and East-European association of entrepreneurs and East-European association of entrepreneurs.



International Foundation for Electoral Systems **Міжнародна Фундація Виборчих Систем**

Institutska 27/6, Suite 5, 2nd fl., Kiev, Ukraine • Phone (044) 293-6000 • Fax (044) 293-8029

COMPLETE PRE-ELECTION PROGRAM

TO SERVE GOD AND SERVE THE PEOPLE

Dear compatriots!

At this dramatic time I run for the office not for the presidential glory, but to serve the People of Ukraine and I can take an oath with my hand on the Bible. I am convinced that the primary objective for the President is to provide for the spiritual renaissance of the nation and well-being of every individual.

We have known for years that a man should not be too much material-minded. Pity enough, but during these times of hardship we have forgotten about it. Spiritual culture implies to serve God and demonstrate that we are brothers all together. It would result in renaissance of morality, culture, education, science, arts, health-care and support of disabled and people of age.

Have a look for yourself. Everywhere we face striving for money, real estate, metal and coal products, political disputes, etc. At the same time no one takes care about children, sick and old people, invalids, old and lonely people. There is no one who can protect against unemployment and hardships those, who work hard to afford a living. Specialists shall take care about the moral and physical health of people, develop the intellectual potential of nation, multiply spiritual values. These are scientists, medical workers, pedagogues and cultural workers who have found themselves outsiders among the most impoverished strata of population. At the same time from day to day we face cruelty, crime and lack of discipline. Conflicts and national hatred are being stirred up, both inter-regional and inter-faith..

The results of these numerous examples of moral degradation are: destruction of the society, insufficiency of the state when its sovereignty and territorial integrity is in jeopardy and its international image goes down.

Where are we going? The nations that have lost their spiritual integrity were doomed to die. But those that restored their spirit were able to mobilize reserves of the society and survived the ordeals and hardships.

Today we are faced with this choice. That is why the man to whom the citizen of Ukraine will give the vote of confidence and top position in the country shall wholly devote himself to serve God and the people. Only the President who is able to provide better living, strengthen peace and establish social consent will succeed in saving the country.

That's why I honestly declare kind-heartedly: in case I am elected the President I will follow this way. An individual will be placed in the center of all reforms in the economy. We shall continue only with the reforms that have clear social orientation and that really can improve our living, This is my approach to every law, program or project and their success will depend only on how good they are at guarantees for better living standards and security of the people.

From this angle I will implement the policy of structural reconstruction of the economy, management system, legislative base and practice of privatization, financial, and and other most important transformations of the society, including reforms in the Ukrainian Armed Forces. Every Ministry, official institution or administrative body will have to answer the question: what have you already done and what are you doing for the people? In the system of administration we will have no units that are useless for people.

We must do our best to serve the interests of our people, but not be focused too much on the priorities of industrial sectors. A man must not beg from the state what he needs to enjoy a normal full-fledged life, this is the state's utmost responsibility to provide for all this. Employees shall have real regularly paid salaries; those who have retired shall have decent pensions comparable to their work contribution; everyone shall have guaranteed social security. Manufacturers, regardless of the forms of ownership, shall be provided with economically well-grounded and reasonable tax policy, that would stimulate an increase in production and services rendered. We shall finally implement the slogans of 1917 revolution into reality. The land - shall belong to the farmers! Plants and factories shall belong to the workers! Power - to the people! Because now

Based on CEC information

May, 1994



and then people strive for two main goals. The first, is to acquire property rights on land, means of production and the results of their labour. The second one, - is to put an end to the enrichment of a handful of people, who command and hold control of nearly everything, as though it was not created and produced by the whole nation. If I am elected the President I will put all my efforts to take distributory functions and mechanisms away from the hands of corrupted bureaucrats and to grant regional, city and local administrative bodies with these functions to make them available for people. We shall change our budget policy, which conflicts with regional and center policy due to poor management of the economy, when growing bureaucracy wastes funds so badly needed to meet local needs throwing them into 'black holes'. Every citizen in the village or in the city owning land, shares in the enterprise or having acquired any other property in any form, shall have guaranteed protection, the right to dispose of it and use it collectively or individually. That is to say that now we shall perform revolution, but revolution without bloodshed, within the norms of civilized legal practice in order to give back to people what lawfully belongs to them. We shall have to make people rich, then the state will be richer as well.

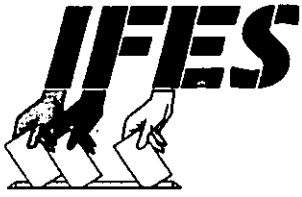
I believe it is necessary to stop irresponsible experiments with the village. Peasants shall enjoy reliable state support through reasonable price, credit and tax policy, various programs to assist farming, food-processing industries and establishment of social-manufacturing infrastructure in the rural areas.

A strong and stable economy combining the best features of both market and state sectors, will provide sufficient resources and potential to protect those, who are unable to earn a living and to provide themselves and their families with everything needed. We shall achieve high and recognized standards in health-care, well-being of the retired, lonely and invalids. We shall bring our mother and child-care into the same height, where it traditionally was for years. I take it as one of my primary objectives to working-out and implementing efficient state policy with regard to the young people, in order to ensure all pre-conditions for children and teenagers to strengthen their spiritual and physical health, as well as to develop their talents and skills, guarantees of excess to education, professional training and employment.

To accomplish the aforementioned we shall achieve social consent and social partnership. We will overcome hardships if entrepreneurs and industrialists, trade-unions, other associations of workers and political parties will calm down their ambitions and egotistic interests, but will be more concerned about common objectives: national survival and strengthening of the state in order to achieve real benefits for people.

Only a strong and well-organized system of executive power is capable to accomplish the urgent tasks that our society is being faced with. I see it as clear vertical headed by the President, who directs the work of the government and who shares with the Government all responsibility for the results.

I believe, that the people of Ukraine will support my plans, incentives and hopes, as well as support the perspective to live in a country of high moral standards, social consent, social partnership and respect for man.



International Foundation for Electoral Systems
Міжнародна Фундація Виборчих Систем

Institutska 27/6, Suite 5, 2nd fl., Kiev, Ukraine • Phone (044) 293-6000 • Fax (044) 293-8029

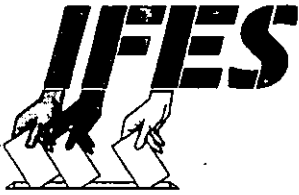
PRESIDENTIAL CANDIDATE

LEONID KRAVCHUK

TOTAL NUMBER OF SIGNATURES COLLECTED*



** Pursuant to Article 25 of the Election Law for President of Ukraine*



International Foundation for Electoral Systems
Міжнародна Фундація Виборчих Систем

Institutska 27/6, Suite 5, 2nd fl., Kiev, Ukraine • Phone (044) 293-6000 • Fax (044) 293-8029

CANDIDATE FOR PRESIDENT OF UKRAINE

LEONID KRAVCHUK

BACKGROUND: December 1, 1991 - present President of Ukraine;
1960-1991 Held various positions in communist party structures;
1990. Elected Chairman, Supreme Council of Ukraine;
1958-1960 Lecturer of political economy at Chernivtsi Financial Technical school;

PERSONAL: Graduated from Rivne Technical School, Kiev Shevchenko State University and Academy of Social Sciences; Married, with one son, two grandchildren.



Photo: "Holos Ukrainy"

EXCERPT FROM PRE-ELECTION PROGRAM

If elected the president of Ukraine and in order to meet our objectives I will follow the principle: strong executive power - stable legislature - unconditional rule of laws - well-balanced socially-oriented economy - guaranteed social security for the most vulnerable strata of population.



International Foundation for Electoral Systems

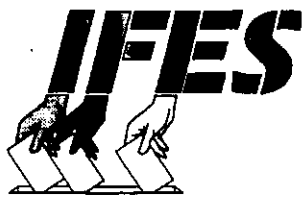
Міжнародна Фундація Виборчих Систем

Institutska 27/6, Suite 5, 2nd fl., Kiev, Ukraine • Phone (044) 293-6000 • Fax (044) 293-8029

SELECTED POINTS FROM PRE-ELECTION PROGRAM

- FOR:**
- all-nation "round table" dialogue to the adoption of the new Constitution of Ukraine;
 - guaranteed and effective implementation of the civil rights
 - Presidential-Parliamentarian form of power
- AGAINST:**
- constitutional and legislative indefiniteness of the legal status of the key elements of state power and the local authorities as well;
- FOR:**
- unitarian de-centralized state; lawful settlement of our relationship with the Crimean Republic;
- AGAINST:**
- state structure based on federal-territorial principles;
- FOR:**
- speed-up of structural reconstruction of Ukrainian economy;
 - priority development of agriculture, energy sector and conversion of military-industrial complex;
 - improvement of investment climate to make it more attractive for both national and foreign investors and entrepreneurs ;
 - de-monopolization of state industrial sector;
- AGAINST:**
- state control over certain manufacturing enterprises;
- FOR:**
- state support for small and medium-size enterprises;
- AGAINST:**
- granting preferential status to certain enterprises;
- FOR:**
- budgetary, banking, monetary and tax reform;
 - monetary reform and introduction of hryvna, Ukrainian monetary unit;
- AGAINST:**
- administration in currency and exchange-control;
- FOR:**
- principally new approaches in forming budget policy;
 - separation of the monetary resources of enterprises from state budget;
 - speed-up of privatisation under state control;
 - introduction of real property;
 - compensation for lawful saving;
 - in-depth reform in wages and pensions;
 - adoption and implementation of state measures for environmental security;
 - renaissance of spiritual and cultural values, Ukrainian traditions, further development of science, education and culture;
 - provision for cultural development of minorities living in Ukraine;
 - two official languages (Ukrainian and Russian) in Ukraine;
- AGAINST:**
- improper use and out-flow of intellectual and spiritual potential of Ukraine;
- FOR:**
- fighting against crime and corruption;
 - strengthening of state defense and national security system;
 - CIS further development and support within CIS of the economic trends for integration;
 - development of beneficial partnership relations with the rest of countries of the world and first of all with Russia and other neighboring nations;
 - wide-scale intellectual and cultural cooperation with foreign countries;





International Foundation for Electoral Systems
Міжнародна Фундація Виборчих Систем

Institutska 27/6, Suite 5, 2nd fl., Kiev, Ukraine • Phone (044) 293-6000 • Fax (044) 293-8029

LEONID MAKAROVYCH KRAVCHUK

BIOGRAPHY

Leonid Makrovych Kravchuk, Ukrainian, born on 10th January 1934 in the village Velykyi Zhytyn, Rivne oblast in the family of a peasant. His father was killed in 1944 in the Second World War.

Graduated from Rivne Cooperative Technical School, then Kiev Shevchenko State University and Academy of Social Sciences.

In 1958-60 was a lecturer of political economy in Chernivtsi Financial Technical School. Since 1960 had various positions in the Party structures.

In July 1990 was elected Chairman of the Supreme Council of Ukraine.

On December 1, 1991 Leonid M. Kravchuk was elected the first President of Ukraine.

Married. His wife is lecturer at Kiev Shevchenko State University, his son works at the Research Institute of Physics, Ukrainian Academy of Sciences. Daughter-in-law is a lecturer at the Institute of International Relations. Has two grand-children: Marijka and Andrij.





International Foundation for Electoral Systems

Міжнародна Фундація Виборчих Систем

Institutska 27/6, Suite 5, 2nd fl., Kiev, Ukraine • Phone (044) 293-6000 • Fax (044) 293-8029

COMPLETE PRE-ELECTION PROGRAM

ALONG THROUGH ALL-NATIONAL CONSENT TO THE STRENGTHENING OF THE STATE AND SPEEDING-UP OF THE REFORMS

Step by step the people of Ukraine build a sovereign democratic European state, that has secured a worthy place among the world nations.

For the historically short period of the time we managed to create a new country with an integrated system of government management, Armed Forces, relevant bodies for security and public order. This is the most important result of the past years.

These wide-scale processes took place together with the collapse of administrative-command system and transition to the market-oriented economy, that made both the establishment of our statehood and the life of the people far more complicated.

Today we have already overcome the most difficult times and established the fundamental basis for our new life, as well as succeeded in preserving peace, which is crucially important.

We have faced many difficulties in the economy that were pre-conditioned by both objective and subjective factors.

Not all the programs were realistic enough, we felt the lack of the experience in transferring our economic ties to the new basis. Our industrial structure, banking, credit and financial system happened to be completely insufficient both for market reforms and new conditions of development. The Ukrainian economy is heavily dependent on energy sources. We also badly need qualified specialists capable to demonstrate new managerial skills in practice.

Only he who does nothing can avoid making mistakes. We acquired some precious experience that would enable us to do better in further reforms.

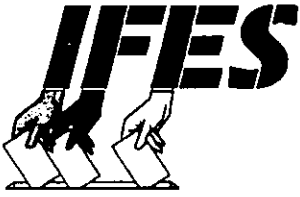
If elected the president of Ukraine and in order to meet our objectives I will follow the principle: strong executive power - stable legislature - unconditional rule of laws - well-balanced socially-oriented economy - guaranteed social security for the most vulnerable strata of population.

- I stand **FOR**:
- all-nation "round table" dialogue to the adoption of the new Constitution of Ukraine and up-grading of the legislative framework; the establishment of the effective and authoritative power on all levels capable to ensure social order;
 - guaranteed and effective implementation of the civil rights and liberties for the citizen, where the principle "a state for the people, but not the people for state" is observed;
 - Presidential-Parliamentarian form of power which would eliminate the possibility to absorb the power by any of its branches;
 - strengthening of independent judicial power;
- AGAINST**:
- constitutional and legislative indefiniteness of the legal status of the key elements of state power: the Parliament, the President, the Government and the local authorities as well;
- FOR**:
- non-unitarian de-centralized state with developed local administrative bodies and broad economic regional independence; lawful settlement of our relationship with the Crimean Republic;
- AGAINST**:
- state structure based on federal-territorial principles; separation of the regions of Ukraine which could result in dissemination of Ukraine;
- FOR**:
- speed-up of structural reconstruction of Ukrainian economy;
 - priority development of agriculture, energy sector and conversion of military-industrial complex;



- improvement of investment climate to make it more attractive for both national and foreign investors and entrepreneurs that would provide atmosphere for capital in-flow to the Ukrainian industry;
 - de-monopolisation of state industrial sector, creation of real competitive environment and transformation of state -owned enterprises into ineliable elements of market economy;
- AGAINST:**
- state control over certain manufacturing enterprises and when the state carries on unusual functions;
- FOR:**
- state support for small and medium-size enterprises;
- AGAINST:**
- granting preferential status to certain enterprises;
- FOR:**
- budgetary, banking, monetary and tax reform, as a basis for financial stabilization;
 - wide-scale monetary reform and introduction of hryvna, Ukrainian monetary unit;
- AGAINST:**
- administration in currency and exchange-control;
- FOR:**
- principally new approaches in forming budget policy that would enable the Government to focus financial capacities on the state priorities and establish financial basis for local authorities and administration;
 - separation of the monetary resources of enterprises from state budget;
 - bringing down of the bank interests for credits;
 - stabilization of tax policy and its stimulative influence on production;
 - equal opportunities for all subjects of economic activities regardless of the form of property and ownership;
 - speed-up of privatization under state control provided that social justice is observed;
 - equal opportunities for the employees of manufacturing and non-manufacturing sectors in implementing their rights under privatization;
 - introduction of real property, industrial capacities and non-arable lands into the exchange mechanism;
 - compensation for lawful saving devalued underinflation in a form of indexation and release of the additional shares from state-owned property to be privatized;
 - in-depth reform in wages and pensions to raise living standards of people;
 - implementation of state programs as to the creation of new jobs, as well as higher social security for the most vulnerable strata of population (retired, invalids, those who suffered from Chernobyl accident, etc.)
 - immediate adoption and implementation of state measures for environmental security;
 - renaissance of spiritual and cultural values, Ukrainian traditions, further development of science, education and culture; state support of creative intelligencia;
 - provision for cultural development of minorities living in Ukraine;
 - two official languages (Ukrainian and Russian) in Ukraine; equal respect to different religions, provided that the laws of the state are observed;
 - further development for information technologies;
- AGAINST:**
- improper use and out-flow of intellectual and spiritual potential of Ukraine;
- FOR:**
- fighting against crime and corruption;
 - state security quarantines for the citizens to ensure their protection from criminal abuses;
 - strengthening of state defense and national security system;
 - strengthening of international image of Ukraine;
 - CIS further development and support within CIS of the economic trends for integration;
 - development of political, economic, cultural and other beneficial partnership relations with the rest countries of the world and first of all with Russia and other neighbouring nations;
 - wide-scale intellectual and cultural cooperation with foreign countries and first of all with those, where ethnic Ukrainians and people of Ukrainian origin live.

The sovereign and democratic Ukraine is a reality. To succeed in the future we need peace, consensus, unconditional rule of law and national security. All these will make possible for hard-working people of Ukraine to reach decent standards of life, which makes up the core of my pre-election program.



International Foundation for Electoral Systems
Міжнародна Фундація Виборчих Систем

Institutska 27/6, Suite 5, 2nd fl., Kiev, Ukraine • Phone (044) 293-6000 • Fax (044) 293-8029

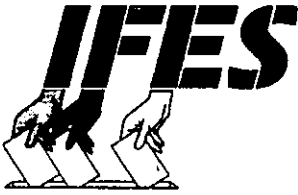
PRESIDENTIAL CANDIDATE

LEONID KUCHMA

TOTAL NUMBER OF SIGNATURES COLLECTED*



** Pursuant to Article 25 of the Election Law for the President of Ukraine*



International Foundation for Electoral Systems Міжнародна Фундація Виборчих Систем

Institutska 27/6, Suite 5, 2nd fl., Kiev, Ukraine • Phone (044) 293-6000 • Fax (044) 293-8029

CANDIDATE FOR PRESIDENT OF UKRAINE

LEONID KUCHMA

BACKGROUND:

March 27, 1994 elected to Supreme Rada of Ukraine in Chernihiv oblast, constituency No. 448.

December, 1993 Elected president of Ukrainian Union Of Industrialists And Entrepreneurs

1991-Present Served in Ukrainian Parliament;

October 1992 - September 1993 served as Prime Minister of Ukraine;

1986-1992 Director General of the Industrial Amalgamation Pivdenny Machine-Building Plant;

Worked in aerospace industry and in Pivdenne engineering bureau located in Dnipropetrovsk. At the age of a 28 he was appointed to be technical director for tests at Baikonur aerospace launching complex.



Photo: "Holas Ukraine"

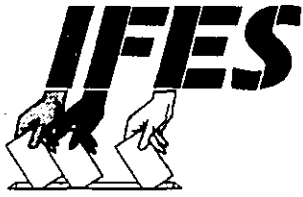
PERSONAL:

1960 Graduated from Dnipropetrovsk University, married, with one daughter.

EXERPT FROM PRE-ELECTION PROGRAM

Not a role of an intermediary in political games between European countries and Russia, but the role of the leader and solidifying element in the center of Eurasian region will place Ukraine amongst rich and civilized countries. To begin with we shall start making order in our own home.

To succeed in this we need to be headed by President with strong executive power, capable to stop collapse and lead to progress and prosperity of the people, feeling their trust and support.



International Foundation for Electoral Systems

Міжнародна Фундація Виборчих Систем

Institutska 27/6, Suite 5, 2nd fl., Kiev, Ukraine • Phone (044) 293-6000 • Fax (044) 293-8029

SELECTED POINTS FROM PRE-ELECTION PROGRAM

IN THE STATE POLICY

- *the establishment of sovereign democratic Ukraine and preserving its integrity will be the key-point of state policy;*
- *I will stand for immediate adoption of the new Constitution;*
- *I will insist on immediate establishment of the Constitutional court;*
- *I will put all my presidential powers to do our best in fighting corruption, mafia and the like crimes.*

IN ECONOMIC POLICY

I am in support for controlled transformation of the administrative economy into the market one, well-grounded methods of transformation of the state property and privatization of the state property and privatization; I take it as top priority together with further development of proper relations with the countries of Western Europe and USA to renew mutually-beneficial economic ties with Russia and former SU countries I will offer for parliamentary consideration the issue of Ukraine to enter CIS economic union; in agriculture policy I will undertake measures to bring economic effectiveness in production to a higher level. All non-arable land including those under the building shall be available for sale;

- *The state support is first of all offered to the enterprises that use high-technologies and know-how. Manufacturing of consumer goods will be regulated only by market stimuli;*
- *I will support speed-up of monetary reform;*
- *in order to concentrate national capital I will initiate the establishment of industrial-financial groups, inter-sectional concerns and trusts, industrial-banking holding companies.*
- *I will advocate the in-depth reform of our financial system, efficient cuts in budgetary spending, strengthening of the financial sufficiency of the enterprises. Taxes will be lowered;*
- *I will stand for the principles of consecutive controlled liberalization of prices;*
- *I will ensure in-depth reform of wages and will stop their unjustified growth;*
- *I will support the policy of gradual liberalization of foreign-economic activities.*

IN SOCIAL AND SPIRITUAL LIFE

- *I take it as my priority objective to ensure supply of food products and medicine for the population;*
- *I will take all necessary steps to stop catastrophic decrease of the living standards, collapse of the system of national health-care, education, science and culture;*
- *I will follow the policy of co-operation of producers, industrialists and the state;*
- *I will insist on pensions reform;*
- *I will actively support the policy to assist families, motherhood and child-care, as well as wide-scale development of construction for housing in both cities and villages;*
- *I will support the development of the national culture and the Ukrainian language as the state language. I will support official status of the Russian language, provided that the current status of the Ukrainian language remains the same as it is;*
- *I will make my every effort to put down ecological crisis and to strengthen state ecological control.*





International Foundation for Electoral Systems

Міжнародна Фундація Виборчих Систем

Institutska 27/6, Suite 5, 2nd fl., Kiev, Ukraine • Phone (044) 293-6000 • Fax (044) 293-8029

LEONID DANYLOVYCH KUCHMA

BIOGRAPHY

Born in the family of a peasant in the village Tcgaikine, Chernihiv oblast, Ukrainian, aged 55.

His father was killed in a battle fighting for Leningrad (now St. Petersburg), his mother worked on a collective farm all her life. Elder brother and sister worked in coal mines.

In 1960 graduated from Dnipropetrovsk University, then worked in aerospace industry and in Pivdenne engineering bureau located in Dnipropetrovsk. At the age of a 28 he was appointed to be Technical Director for testing at Baikonur aerospace launching complex. Since 1982 - First Deputy of the Designer-in-Chief.

In 1986-92-Director General of the Industrial amalgamation Pivdenny Machine-building Plant.

In October '92-September-'93 - Prime-Minister of Ukraine.

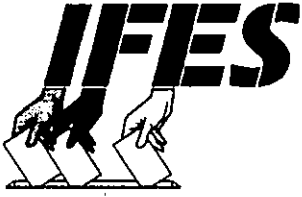
People's Deputy in the last two Parliaments of Ukraine.

In December '93 was elected President of Ukrainian Union of Industrialists and Entrepreneurs.

Laureate of Lenin Prize, laureate of the State Prize of Ukraine. Professor of Dnipropetrovsk University, academic of the Ukrainian Academy of Engineering Sciences.

Married, has a daughter.





International Foundation for Electoral Systems
Міжнародна Фундація Виборчих Систем

Institutska 27/6, Suite 5, 2nd fl., Kiev, Ukraine • Phone (044) 293-6000 • Fax (044) 293-8029

COMPLETE PRE-ELECTION PROGRAM

**TO PREVENT NATIONAL CATASTROPHE, THROUGH CIVIL ORDER
AND DECENCY - TOWARDS CONSENT AND WELL-BEING**

Ukraine is at a cross-road. Self-isolation and the absence of implementing reforms resulted in production decrease, impoverishment of people and the danger of losing integrity of the country.

How shall we live tomorrow?

Not a role of an intermediary in political games between European countries and Russia, but the role of the leader and solidifying element in the center of Eurasian region will place Ukraine amongst rich and civilized countries. To begin with we shall start making order in our own home.

To succeed in this we need to be headed by a President with strong executive power, capable of preventing collapse and lead to progress and prosperity of the people, feeling their trust and support.

Peaceful international policy of Ukraine shall assist us all through our way forward.

In case I am elected President, I will focus on the following tasks:

IN THE STATE POLICY

- the establishment of sovereign democratic Ukraine and preserving its integrity will be the key-point of state policy. Priority of human rights, rule of law, free development of all nationalities of all religions populating Ukraine, support of our inherited historical and spiritual values shall be a key for success in achieving these difficult goals;
- I will stand for immediate adoption of a new Constitution which shall serve as the basis for developing legal framework, forming civil society of national consent, as well as the establishment of authoritative executive power on the principles of competence, decency and responsibility;
- I will insist on immediate establishment of the Constitutional Court, conduct the policy of real division between legislative, executive and judicial powers, assist in conducting juridical reform;
- I will support more freedom for local administrative bodies in the regions and first of all in making the budget;
- I will ensure equal respect by the state of all religions and faiths and its non-interference with their activities;
- I stand the principle that the borders of Ukraine shall be inviolable and will pay thorough attention to the advanced improvement of the Ukrainian Armed Forces and to the strengthening of their capability to defend the country;
- I will put all my presidential powers to do our best in fighting corruption, mafia and other crimes.



Based on CEC information

May, 1994

IN ECONOMIC POLICY

- I am in support of controlled transformation of the administrative economy into a market one, well-grounded methods of transformation of the state property and privatization of the state property and privatization, equality for all forms of ownership and their legal protection. As a consequence, the principles of state administration of the economy will be formed taking the aforementioned into account;
- I take it as top priority together with further development of proper relations with the countries of Western Europe and USA to renew mutually-beneficial economic ties with Russia and former FSU countries. I will offer for parliamentary consideration the issue of Ukraine to enter CIS economic union and will support making an agreement on currency control to be based on the principle of partnership;
- in agriculture policy I will undertake measures to bring economic effectiveness in production to a higher level and assist its industrialization. I will match conversion of military-industrial complex with the program that will allow bringing modern machines to the villages. Agriculture shall be developed not by way of declarative statements, but by way of real fulfillment of the set programmes.
- I will be cautious enough as to the property reforms in the rural areas. But I believe, that all non-arable land including those under the building shall be available for sale.
- I will support the policy of deep reforms in the structure of economy, where the state support is first of all offered to the enterprises that use high-technologies and know-how. Prior attention will be focused on how to bring energy consumption by industry down. Industries with fast capital flow and manufacturing of consumer goods will be regulated only by market stimuli;
- taking into account that the capacities of the Ukrainian coupon have already dried out I will support speed-up of monetary reform;
- in order to concentrate national capital I will initiate the establishment of industrial-financial groups, inter-sectional concerns and trusts, industrial-banking holding companies. It will enable Ukrainian companies to co-work on parity basis and to compete world-wide.
- I will advocate for the in-depth reform of our financial system, efficient cuts in budgetary spending, strengthening of the financial sufficiency of the enterprises. Taxes will be lowered and the banking system will be transformed into the two-level structure;
- I will stand for the principles of consecutive controlled liberalization of prices. Only limited list of resources, goods and products will still have fixed prices;
- I will ensure in-depth reform of wages and will stop their unjustified growth;
- I will insist that Ukrainian National Bank and the Parliament support parity of the gross national income, money in circulation, consumer fund and budgetary spendings;
- I will support the policy of gradual liberalization of foreign-economic activities, principles of open economy. At the same time I will stand the principles of strong currency control and restrictions on poor-quality foreign imports.

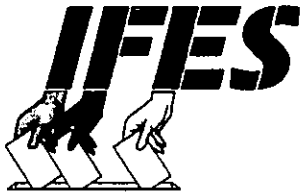
IN SOCIAL AND SPIRITUAL LIFE

- I take it as my priority objective to ensure supply of food products and medicine for the population;
- I will take all necessary steps to stop catastrophic decrease of the living standards, avoid massive unemployment, collapse of the system of national health-care, education, science and culture;
- in order to succeed in all these reforms I will follow the policy of social partnership, constructive co-operation of producers, industrialists and the state;
- I will stand for constitutional provision to recognize the right of legislative initiative with trade-unions and their role shall grow to be more important;
- I will insist on pension reform that would ensure justified pensions for those who will retire and regular pension pays-off today; I will bring into practice assistance to the disabled;



- I consider privatization as a process that is aimed to improve living-standards of people, improve production effectiveness and serve as stimulus to work;
- I will actively support the policy to assist families, motherhood and child-care, as well as wide-scale development of construction for housing in both cities and villages;
- I will provide for state support to develop the spirit of the society, fundamental scientific research, strengthen social security of our intelligencia;
- I will support the development of the national culture and the Ukrainian language as the state language. I will support official status of the Russian language, provided that the current status of the Ukrainian language remains the same as it is;
- I will make every effort to put down ecological crisis and to strengthen state ecological control.

**THE TIMES OF DESTRUCTION ARE OVER.
THE ORDER TODAY,-PROSPERITY TOMORROW!**



International Foundation for Electoral Systems
Міжнародна Фундація Виборчих Систем

Institutska 27/6, Suite 5, 2nd fl., Kiev, Ukraine • Phone (044) 293-6000 • Fax (044) 293-8029

PRESIDENTIAL CANDIDATE

VOLODYMYR LANOVIY

TOTAL NUMBER OF SIGNATURES COLLECTED*

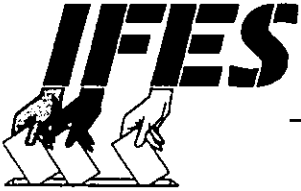


** Pursuant to Article 25 of the Election Law for the President of Ukraine*



Based on CEC Information

May, 1994



International Foundation for Electoral Systems Міжнародна Фундація Виборчих Систем

Institutska 27/6, Suite 5, 2nd fl., Kiev, Ukraine • Phone (044) 293-6000 • Fax (044) 293-8029

CANDIDATE FOR PRESIDENT OF UKRAINE

VOLODYMYR LANOVYI

BACKGROUND: **March 27 1994** Elected to Supreme Rada of Ukraine in Kiev city, constituency No.16.
August - 1992 March 1994 Director, Ukraine Market Reforms Center. Today the Center is recognized internationally. The results of its work are used by the United Nations, the International Labor Organization, the European Community and by other international organizations.
March 1992 - July 1992 Appointed Minister of Economy and Vice-Premier-Minister of Ukraine. Under his leadership, laws of privatization, anti-monopoly regulation, economic independence of Ukraine, joint stock companies and business activity were developed as well as programs of agrarian reform, demonopolization and social protection of the people.
June 1991 - March 1992 Appointed State Minister of Ukraine for Business and Property Affairs.
1986 - 1991 Senior researcher, Director of New Forms of Business Activity Department at the Institute of Economics, Academy of Sciences. While working at the Academy, he wrote 7 books, 50 scientific articles and completed his doctoral dissertation on management of market economy.
1975 - 1986 Kiev Kristal Enterprise. Worked as economist, senior engineer, Director of Business Function Laboratory. Completed his candidate dissertation on stimulation of efficient activity of enterprises and associations.



Photo: CEC

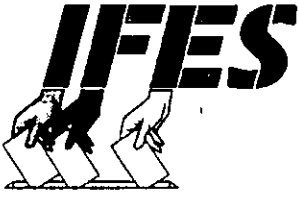
PERSONAL: **1973 - 1975** Served in army.
1973 Graduated from Institute of National Economy. Doctor of Economics. Married. Wife is a Candidate of Biology. Has 2 sons, 6 and 17 years old. Born on June 17, 1952 in Kiev.

EXCERPT FROM PRE-ELECTION PROGRAM

Ukraine is facing economic and political catastrophe. Industrial production is on the edge of collapse, consumer capacity of the population decreased to the bottom line and it makes impossible to afford a living for children and old people. There is no material support for schools, institutions of higher education, hospitals and institutions of culture. Crime and corruption erode public morality and social order.

Taking into account the importance of today's problems I envisage that the President should focus on the two objectives, that are as follows:

- 1. To stop economic, social and political crisis (1994-95)*
- 2. To establish a modern European state (1996-98)*



International Foundation for Electoral Systems Міжнародна Фундація Виборчих Систем

Institutska 27/6, Suite 5, 2nd fl., Kiev, Ukraine • Phone (044) 293-6000 • Fax (044) 293-8029

SELECTED POINTS FROM PRE-ELECTION PROGRAM

EFFECTIVE ECONOMY AND WELL-BEING OF PEOPLE

- *On the first stage and due to reforms the average salary will grow from US \$20 to US \$100 per month. Besides, income taxes will be lowered. National currency will be introduced. The output of production and stable functioning of enterprises will be restored.*
- *On the second stage per capita income will grow up to US \$500. Investments in-flow into manufacturing sector will be renown.*
- *Farmers will be able to sell their products at guaranteed prices. Peasants will enjoy unconditional rights to own land, live stock, farms and bank savings as their property.*
- *The problem of housing will be solved at the expense of financing and first of all by way of offering discount credits to buy flats, houses or to build a house of one's own.*
- *On a governmental level the strategic programs of production of new machinery will be carried on to gain access into the new markets in the world trade.*

THE SOCIETY OF SOCIAL JUSTICE

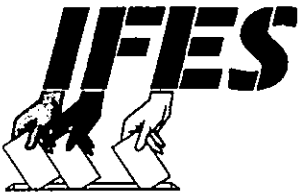
- *The principle of social justice will be exercised into practice to allow to earn freely and enjoy well-being for those who can work hard. Disabled will be guaranteed sufficient support.*
- *The state will increase financing of health-care institutions and the wages of the employees in this sector will be higher than average wages in industrial sector.*
- *Pensions, scholarships and financial support funds will grow by 5 times.*
- *The state will guarantee real value of bank savings for individuals against inflation. Population will be compensated for the loss of their savings, stocks and securities due to inflation in 1991-94.*

SECURITY OF AN INDIVIDUAL

- *The state will focus all efforts to fight against crime, banditry, mafia, corruption and fraud. We will reform our court, justice, military, customs and tax system. Thorough control will be exercised over these organs. We will reach higher responsibility and social security.*
- *Women shall have more spare time and work no more than 6 hours a day, provided that the whole salary is paid. Every family will have financial support for each child. The state will provide invalids with all necessary equipment and medical assistance*
- *Allocations from the budget will increase by 4-5 times to support spiritual renaissance of nation, development of various national cultures, education and science.*

STATE BUILDING

- *Power shall be exercised through presidential-parliamentary type of republic, where the President is the head of state and the head of executive power. The Cabinet of Ministers with the Prime-Minister as its head shall report to the President.*
- *Apart of its legislative functions the Supreme Council shall gain control over the state budget and proper functioning of the executive power.*
- *The Constitutional Court shall become the top organ of justice.*
- *Local self-administration will be exercised by way of election of representatives to the local administrative bodies and militia. They will use the most of tax-earnings to meet the needs of the local people.*



International Foundation for Electoral Systems

Міжнародна Фундація Виборчих Систем

Institutska 27/6, Suite 5, 2nd fl., Kiev, Ukraine • Phone (044) 293-6000 • Fax (044) 293-8029

VOLODYMYR TYMOFIYOVYCH LANOVIY

BIOGRAPHY

Born in Kiev in the family of war-veteran - worker of a motorcycle plant. Ukrainian by nationality, 42 years of age. The roots of the Lanovy's family go back to peasants from Vinnytsa oblast.

After the secondary school entered Kiev Institute of National Economy where he received his degree in economics. During his student years demonstrated acute interest in scientific research and was known for his fruitful hard-working. He was a winner of a number of competitions held in the Institute and in the country at large solidifying and contributing to the Institute's scientific environments.

After his study at the Institute Volodymyr Lanovy was recruited to the military service. He started his work at the Kiev Crystal Industrial Amalgamation specializing in electronics, where he worked for 11 years and succeeded in carrier from the position of an economist up to the head of the department. Defended his Candidate of Science thesis.

Since 1986 worked at the Institute of Economics, Ukrainian Academy of Science and held position of the Head of Department for New Forms and Methods in Economy. He was immediate co-author of the Law "On Economic Sovereignty of Ukraine". As early as 1990 he put forward the first program for transition of Ukraine to the market-oriented economy by way of the establishment of national model for development. He has degree of Doctor of Science and is the author of 9 books and more than 100 scientific publications. His projects were successfully tested and tried at more than 300 enterprises. He is the honourable member of three foreign and four national Academies of Science.

In 1991 he was appointed Minister, Ministry of Property and Entrepreneurship. In nine months he became minister of Economics and Vice Prime-Minister of Ukraine. He held this post for only three months: old party nomenklatura heavily opposed any of his incentives for reforms. That resulted in his resignation after Presidential Decree. At that time Volodymyr Lanovy demonstrated his political ambitions of a new type of leadership. He manages to solidify new public and political forces of a society that stood for economic reforms. His activity helped the world community to understand young Ukraine and realize that it strives for world civilization.

In August 1992, he founded and headed the non-government Center for Market Reforms, which is a partner of the World and European International organizations and centers. During that time and under his guidance various programmes and projects of systematic reorganization of Ukrainian state structure, offering solutions to the social, ecological and industrial problems were worked out. These programs were highly appraised in the United Nations, International Labour Organization, Commission of European Communities. At the moment not many of them are appreciated by the Ukrainian Government.

In his public activities Volodymyr Lanovy demonstrates principality in assessing current not far-reaching policy of official circles, he is active in various public groupings and pre-election blocs. He also keeps close contact with trade-unions and founded the "Reforms" fraction in the current Parliament.

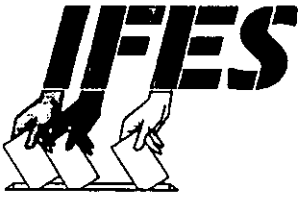
Lanovy's family consists of two sons and is known for their openness, kind attention and respect shown to the grandparents.

In the view of outstanding politicians and economists throughout the world, provided that Volodymyr Lanovy is elected the President, Ukraine and its people can be confident in the future to come.

Based on CEC information

May, 1994





International Foundation for Electoral Systems **Міжнародна Фундація Виборчих Систем**

Institutska 27/6, Suite 5, 2nd fl., Kiev, Ukraine • Phone (044) 293-6000 • Fax (044) 293-8029

COMPLETE PRE-ELECTION PROGRAM

Ukraine is facing economic and political catastrophe. Industrial production is on the edge of collapse, consumer capacity of the population decreased to the bottom line and it makes impossible to afford for living for children and old people. There are no material support for schools, institutions of higher education, hospitals and institutions of culture. Crime and corruption erode public morality and social order through.

Taking into account the importance of today problems I envisage that the President should focus on the two objectives, that are as follows:

1. To stop economic, social and political crisis (1994-95)
2. To establish a modern European state (1996-98)

THE MAIN POINTS OF THE PROGRAM

EFFECTIVE ECONOMY AND WELL-BEING OF PEOPLE

On the first stage and due to reforms the average salary will grow from US \$20 to US \$100 per month. Besides, income taxes will be lowered. National currency will be introduced. The output of production and stable functioning of enterprises will be restored. The prices will be stabilized. Taxes on profits for enterprises will be lowered, as well as the interests on credits. The property of enterprises will be shared by the Ukrainian citizen.

On the second stage per capita income will grow up to US\$ 500. Investments in-flow into manufacturing will be restructured. Exports and imports will grow up rapidly. We will achieve sufficient level of work effectiveness.

Farmers will be able to sell their products at guaranteed prices. Peasants will enjoy unconditional rights to own land, live-stock, farms and bank savings as their property.

The problem of housing will be solved at the expense of financing and first of all by way of offering discount credits to buy flats, houses or to build a house of one's own.

On a governmental level the strategic programmes of production of new machinery will be carried on to gain access into the new markets in the world trade.

THE SOCIETY OF SOCIAL JUSTICE.

The principle of social justice will be exercised into practice to allow to earn freely and enjoy well-being for those who can work hard. Disabled will be guaranteed sufficient support.

The state will increase financing of health-care institutions and the wages of the employees in this sector will be higher than average wages in industrial sector.

Pensions, scholarships and financial support funds will grow by 5 times. New forms of social assistance will be introduced to those under 17, invalids, war veterans and those who suffered from Chernobyl and similar ecological disasters (additional compensations, free meals and consumer goods, medicine, services, orchards). Pensions for retired, disabled and in case of death caused due to work-duties will correspond the whole sum of earnings during work-time. These pensions will be introduced as overall compensation for the loss of health or death.



The state will guarantee real value of bank savings for individuals against inflation. Population will be compensated for the loss of their savings, stocks and securities due to inflation in 1991-94.

SECURITY OF AN INDIVIDUAL.

The state will focus all efforts to fight against crime, banditry, mafia, corruption and fraud. Through the system of courts, justice and military we will protect civil rights for freedom, private ownership, work and income. With this in mind we will reform our court, justice, military, customs and tax system. Thorough control will be exercised over these organs. We will reach higher responsibility and social security (life and health insurance, provision of housing and land, progressive pensions) for those employed in these sectors.

MORALITY AND SPIRITUAL CULTURE

Morality is justified by our attitude to women, children, invalids and people of age. Women shall have more spare time and work no more than 6 hours a day, provided that the whole salary is paid. Every family will have financial support for each child. There will be increases in financing of nurseries institutions and schools, but first of all those where orphans and invalids with inherited diseases are looked after. The state will provide invalids with all necessary equipment and medical assistance, as well as impose adequate standards in construction, transport and every-day services.

Allocations from the budget will increase by 4-5 times to support spiritual renaissance of the nation, development of various national cultures, education and science. Creative and pedagogical collectives themselves will plan their work and decide the structure of their organizations and choose their administration. taxation of these organizations will be waived, as well as 20 per cent tax from individual income of creative intelligencia, scientists and teachers. We will ensure equal legal and property rights and opportunities for all religions and faiths.

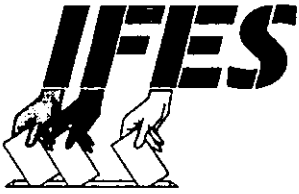
STATE BUILDING

Power shall be exercised through presidential-parliamentary type of republic, where the President is the head of state and the head of executive power. The Cabinet of Ministers with the Prime-Minister as its head shall report to the President.

Apart of its legislative functions the Supreme Council shall gain control over the state budget and proper functioning of the executive power.

The system of courts will not only ensure justice, but will also be a warrant for justice and rule of law, as well as exercise justice over any high rank officers of Ukraine. The Constitutional Court shall become the top organ of justice.

Local self-administration will be exercised by way of election of the representatives to the local administrative bodies and militia. They will use the most of tax-earnings to meet the needs of the local people.



International Foundation for Electoral Systems
Міжнародна Фундація Виборчих Систем

Institutska 27/6, Suite 5, 2nd fl., Kiev, Ukraine • Phone (044) 293-6000 • Fax (044) 293-8029

PRESIDENTIAL CANDIDATE

OLEKSANDER MOROZ

TOTAL NUMBER OF SIGNATURES COLLECTED*

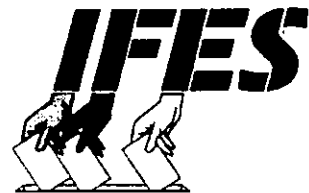


** Pursuant to Article 25 of the Election Law for the President of Ukraine*



Based on CEC Information

May, 1994



International Foundation for Electoral Systems
Міжнародна Фундація Виборчих Систем

Institutska 27/6, Suite 5, 2nd fl., Kiev, Ukraine • Phone (044) 293-6000 • Fax (044) 293-8029

CANDIDATE FOR PRESIDENT OF UKRAINE

OLEKSANDER MOROZ

BACKGROUND:

April 10, 1994 elected in Kievskia oblast constituency No. 223.

May 18, 1994 Elected Chairman, Supreme Rada;

1991 - March, 1994 Member, Rada;

1983-1989 Elected Secretary, Oblast Council of Trade Unions, Chairman, Department of Agriculture;

PERSONAL:

Graduated from Ukrainian Agriculture Academy, engineer with 12 years of work experience; served in armed forces; married, with two daughters and two grandchildren.

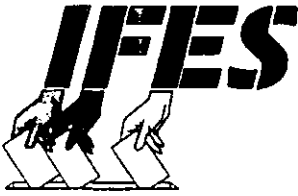


Photo: CEC

EXCERPT FROM PRE-ELECTION PROGRAM

Presidential candidate Oleksander O. Moroz's primary objective is to stop the crisis, prevent national catastrophe and to bring Ukraine to a higher level, comparable with the most developed world nations.

To reach this objective it is most important to strengthen state power on a democratic basis.



International Foundation for Electoral Systems

Міжнародна Фундація Виборчих Систем

Instiutska 27/6, Suite 5, 2nd fl., Kiev, Ukraine • Phone (044) 293-6000 • Fax (044) 293-8029

SELECTED POINTS FROM PRE-ELECTION PROGRAM

IT MEANS

- *immediate accomplishment of the constitutional and legal establishment of the basis for the operation of all structures of state power;*
- *establishment of the integrated system of strong executive power with the Government subordinated to the Parliament as a focal point;*
- *clear division of powers;*
- *strengthening of state discipline, observance and respect of laws, use of all state power to fight corruption and organized crime.*

RENAISSANCE OF NATIONAL ECONOMY

- *to provide decent conditions for manufacturers to work and ensure their motivation to develop production;*
- *to support the state-owned sector as determining of the Ukrainian economy;*
- *to protect peasants' interests, accomplish land reform and establish favorable conditions for agro-industrial complex to develop intensively;*
- *reform our banking system and make our tax policy favorable and suitable for manufacturers;*
- *to stabilize the consumer market through the development of an integrated price-and-wages concept;*
- *to proceed forward with monetary reform and to create privileges and preferential conditions to our manufacturers;*
- *to determine priorities of national economy and to carry on with structural reconstruction in the economy;*
- *to change the concept of privatization and to prevent the land from becoming a commodity.*

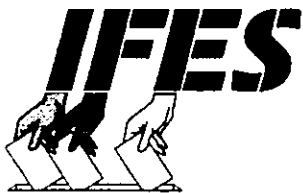
CONSTITUTIONAL GUARANTEES AND SOCIAL RIGHTS

- *carry on housing policy to meet the interests of the majority of the population;*
- *succeed in the development of social security and insurance system to preserve state health-care system;*
- *to restore the system of every-day and communal state services.*

CULTURE AND SPIRITUAL LIFE

- *one of our most important objectives is to protect and support the national culture and spirit of our society as necessary pre-requisites for integrity and civil consent;*
- *truth and objectiveness - these are the ways to our spiritual development and renaissance of education and culture;*
- *Ukraine will never overcome difficulties without the development of classical science and fundamental research. We shall undertake urgent measures to develop and offer all our support to cinematography, theatre, literature, publishing industry and mass media;*
- *thorough attention shall be paid to the development of not only Ukrainian, but the rest of the languages and cultures;*
- *we shall oppose propaganda of inter-national and religious conflicts, violence and cruelty.*





International Foundation for Electoral Systems **Міжнародна Фундація Виборчих Систем**

Institutska 27/6, Suite 5, 2nd fl., Kiev, Ukraine • Phone (044) 293-6000 • Fax (044) 293-8029

COMPLETE PRE-ELECTION PROGRAM

FREE, DEMOCRATIC AND PROSPERING UKRAINE

Presidential candidate Mr Oleksander O. Moroz's primary objective to stop the crisis, prevent national catastrophe and to bring Ukraine to a higher level, comparable with the most developed world nations.

To reach this objective it is most important to strengthen state power on democratic basis. It would be impossible to succeed in overcoming the crisis, if we fail to gain back people's trust and support.

IT MEANS:

- immediate accomplishment of the constitutional and legal establishment as the basis for the operation of all structures of state power;
- establishment of the integrated system as strong executive power with the Government subordinated to the Parliament as a focal point;
- clear division of powers, establishment of pre-conditions for the local Councils to function as genuine bodies for the rule of people;
- strengthening of state discipline, observance and respect of laws, use of all state power to fight corruption and organized crime;
- consolidation of all political forces of Ukraine to be based on inter-national peace and civil order.

As to the state policy Mr. Moroz opposes separatism and extreme nationalism, he also stands for equal rights of every citizen regardless to their nationality and creed; for strengthening and development of good-neighborhood ties among all CIS countries and first of all with Russia to join the commonwealth of world nations as a partner.

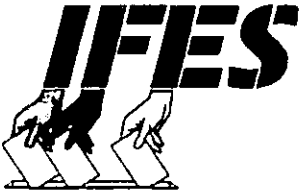
RENAISSANCE OF NATIONAL ECONOMY

Deeply convinced that we can fight the crisis only by way of putting together the efforts of the whole nation, all honest people. The solution is in a versatile economy, when every individual, both worker and businessmen, engineer and teacher can do his best in assisting the well-being of both his own family and our young country.

TO SUCCEED IN THIS WE NEED

- to provide decent conditions for manufacturers to work and ensure their motivation to develop production and to work effectively;
- to support the state-owned sector as determining structure, scientific, technical and technological development of the Ukrainian economy. Together with this we shall assist all other forms of ownership to develop, including private entrepreneurship and initiative;
- to protect peasants' interests, accomplish land reform and establish favorable conditions for agro-industrial complex to develop intensively;
- to ensure clear financial policy, reform our banking system and make our tax policy favourable and suitable for manufacturers;
- to stabilize consumer market through the development of an integrated price-and-wages concept;





International Foundation for Electoral Systems
Міжнародна Фундація Виборчих Систем

Institutska 27/6, Suite 5, 2nd fl., Kiev, Ukraine • Phone (044) 293-6000 • Fax (044) 293-8029

OLEKSANDER OLEKSANDROVYCH MOROZ

BIOGRAPHY

Oleksander Oleksandrovych Moroz was born in the large family of a peasant on February 29, 1944 in the village of Buda, Tarashcha region, Kiev oblast.

Graduated from the Ukrainian agriculture academy. Engineer-mechanic with 12-year work experience. For some time worked in Zhytomyr oblast, then in the technical school at the state-owned collective farm located in Kiev oblast. Later worked at the regional and oblast amalgamations for agriculture machines ('SILHOSPTEKHNIKA). Was recruited to military service as a soldier.

In 1983-89 was elected secretary of the oblast Council of trade-unions, later - first secretary of party committee and Chairman of Department For Agriculture at Kiev Oblast Party Committee.

The experience gained while working with people during the social and party activity and understanding the errors and faults of old administrative management methods shaped his active position in reforming various spheres of social life.

He is a People's Deputy of the previous and current Parliament representing Tarashcha electorate, Kiev oblast. He takes an active part in parliamentary debates and was the initiator and co-author of a number of laws, like the law of Ukraine "On Prior Development of the Rural Areas", Land Code of Ukraine, as well as some other legislative acts., where he stood his ground to ensure the rule of people, social justice and the interests of a working people.

With this in mind he became one of the founders of the Socialist Party of Ukraine and was elected Chairman of its Political Council. He is the author of the book "Where are we going?"

As a well-known political figure and a man capable of consolidating the society and to stand for his principles, on May 18, 1994 he gained more than left-wing support and was elected Chairman of the Ukrainian Parliament. The Socialist Party nominated him for the post of President of Ukraine.

Married. Has two daughters and two grand-children.

- to establish a national budget policy of our state that would meet for both all-nation and regional interests;
- to proceed forward with monetary reform and to create privileges and preferential conditions for our manufacturers;
- to determine priorities of the national economy and to carry on with structural reconstruction in the economy and to draft national ecological programs;
- to solidify the concept of privatization and to prevent the land to become a commodity;
- Besides, we need to have integrated concept of reforms in our economy, its unconditional re-structuring, provided that the manufacturing sector will not be destroyed resulting in massive unemployment and the collapse of the consumer market as a consequence.

CONSTITUTIONAL GUARANTEES AND SOCIAL RIGHTS

I am deeply convinced, that in these times of hardships we can solidify the society only through observation of the rights of each individual in all spheres of life. The state shall guarantee observance of these rights. The President himself shall be a warrant for basic constitutional rights for Ukrainian citizen.

To ensure social rights we shall:

- carry on a housing policy to meet the interests of the majority of the population;
- succeed in the development of a social security and insurance system to preserve the state health-care system as a guarantee of constitutional rights of the citizens for health-care and leisure;
- to restore the system of every-day and communal state services, provided that at the same time the development of alternative services in this sector is being stimulated.

CULTURE AND SPIRITUAL LIFE

One of our most important objectives is to protect and support national culture and spirit of our society as necessary pre-requisites for integrity and civil concept.

Not a primitive political re-orientation and isolation from historical-cultural process, but truth and objectiveness - these are the ways to our spiritual development and renaissance of education and culture.

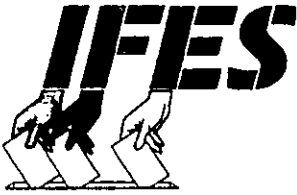
Ukraine will never overcome difficulties without the development of classical science and fundamental research, without development of classical science and fundamental research, without state support for highly qualified specialists and focusing on priorities and proper support of the system of national education.

Independent and sovereign Ukraine will never exist if we fail to preserve our culture and ensure constitutional rights of every citizen to have an excess to its achievements. We shall undertake urgent measures to develop and offer all our support to cinematography, theatre, literature, publishing industry and mass media.

Ukraine is a loving mother, not mother-in-law, for all the nations living in Ukraine. Thorough attention shall be paid to the development of not only Ukrainian, but the rest of the languages and cultures.

We shall oppose the propaganda of inter-national and religious conflicts, violence and cruelty.

Only putting all our efforts together we can help Ukraine to stand up from its knees.



International Foundation for Electoral Systems
Міжнародна Фундація Виборчих Систем

Institutska 27/6, Suite 5, 2nd fl., Kiev, Ukraine • Phone (044) 293-6000 • Fax (044) 293-8029

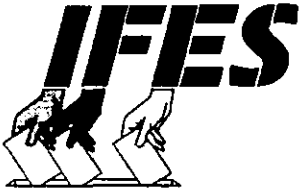
PRESIDENTIAL CANDIDATE

IVAN PLIUSHCH

TOTAL NUMBER OF SIGNATURES COLLECTED*



* Pursuant to Article 25 of the Election Law for the President of Ukraine



International Foundation for Electoral Systems **Міжнародна Фундація Виборчих Систем**

Institutaska 27/6, Suite 5, 2nd fl., Kiev, Ukraine • Phone (044) 293-6000 • Fax (044) 293-8029

CANDIDATE FOR PRESIDENT OF UKRAINE

IVAN PLIUSHCH

BACKGROUND: **March 27, 1994** elected as people's Deputy in Borznyianskiy const. No. 445;
December, 1991-March 1994 Chairman of the Supreme Rada of Ukraine;
December 1991 - June 1990 First Deputy-Chairman, Supreme Rada of Ukraine;
1985 - Deputy-Chairman of the Supreme Rada of Ukraine;
1984-1990 Chairman of Kiev oblast Council of People's Deputies;
1984 - First deputy Chairman, and Chairman of Kiev oblast
1984 - 1982 Chairman of the Department of Agriculture and food industry, Kiev oblast Communist party Committee;
1981 - 1979 Deputy-Chairman of the Department of Agriculture Kiev oblast; Communist party Committee;
1975-1974 Deputy-Head of Baryshivskiy Trust of state collective farms producing dairy products and vegetables; Kiev oblast
1974-1967 Chairman of collective farm named after S.Kirov. Director of state collective farm named after V.Lenin;
1967-1959 worked in state-owned collective farm Khmeliovyk, Baryshivka region



Photo: "Holos Ukrainy"

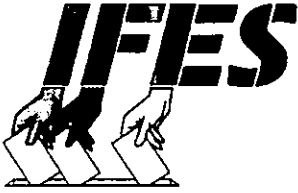
PERSONAL: Attended Brozna Agriculture Technical School, Ukrainian Agriculture Academy and Academy of Social Sciences in Moscow.
Born on September 11, 1941 in the village Brozna, Chernihiv Oblast.

EXCERPT FROM PRE-ELECTION PROGRAM

I am convinced that Ukraine has all the possibilities in the near future to stabilize the situation and lift living standards to decent level

My life, work and political experience, professional knowledge allow me to determine the priorities, that will help to overcome difficulties and crisis phenomena that we have faced under period of transition, change things for better.

My first and most important concern is to serve the needs and interests of an independent state, its people and every individual.



International Foundation for Electoral Systems

Міжнародна Фундація Виборчих Систем

Institutska 27/6, Suite 5, 2nd fl., Kiev, Ukraine • Phone (044) 293-6000 • Fax (044) 293-8029

SELECTED POINTS FROM PRE-ELECTION PROGRAM

IN ECONOMY

- *economic reforms shall be carried on for People's benefit but not at their expense. I will concentrate on concrete things to be done, like banking and financial system reforms. I will also assist the development of free and civilized entrepreneurship and fight unfair prices and inflation;*
- *economic renaissance of Ukraine means the establishment of the strong and effective socially-oriented economy by way of its structural reconstruction and introduction of new technologies;*
- *fair privatization and creation of equal start-up conditions for every individual to take part in it and guarantees of equal opportunities for all forms of ownership;*
- *comprehensive development of agricultural complex; the development of social sphere in the rural areas; state support for both collective and individual farms; pay-backs of debts to the village; establishment of the stable parity in prices for agriculture and industrial products.*

IN SOCIAL SPHERE

- *constant observation of the principles stipulated in the General Declaration of Human Rights;*
- *progressive improvement of living standards to be based on increase of wages. Together with decrease of spending in manufacturing sector that will also include bringing the taxes, prices for consumer-goods and numerous extras down.*
- *avoidance of massive unemployment; social security for the most vulnerable strata of population; establishment of pensions and monetary support of no less than subsistence minimum;*
- *compensation of savings devalued due to inflation at the level their 1990 buying capacity;*
- *establishment of decent living standards; development of forestry, ecological reservations;*
- *conservation of new and reconstruction of operating nuclear power-plants and harmful industries; introduction of ecologically clean and wasteless technologies;*
- *spiritual renaissance of Ukrainian people; development of culture and language; material support to the system of education, health care, secure communal services*

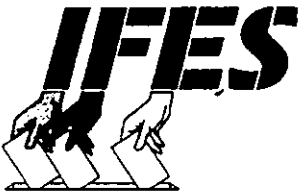
IN STATE CONSTRUCTION

- *creation of humane democratic civil society; strengthening of state, political and economic sovereignty of Ukraine;*
- *adoption of the new Constitution of Ukraine, observation of principles of divisions of powers; improving mechanisms for interaction between legislative, executive and juridical branches of power;*
- *we shall further improve representative bodies of power in a form of councils;*
- *strengthen justice and public order, fight organized crime and corruption;*
- *establishment of Ukrainian Armed Forces and constant attention to the needs of the military servicemen and their families.*

IN INTERNATIONAL POLICY

- *wide-scale economic integration of Ukrainian national economy with the countries of the world and first of all with CIS countries;*
- *preservation of peace, prevention of conflicts; strengthening the status of Ukraine as peaceful non-allied and non-nuclear power.*





International Foundation for Electoral Systems
Міжнародна Фундація Виборчих Систем

Institutska 27/6, Suite 5, 2nd fl., Kiev, Ukraine • Phone (044) 293-6000 • Fax (044) 293-8029

IVAN STEPANOVYCH PLIUSHCH

BIOGRAPHY

Born on 11th September 1941 in the village Brozna, Chernihiv oblast, in the family of a peasant.

Graduated from Brozna Agriculture Technical School and received further education at the Ukrainian Agriculture Academy and Academy of Social Sciences in Moscow. Obtained qualifications of an economist and a specialist in agriculture.

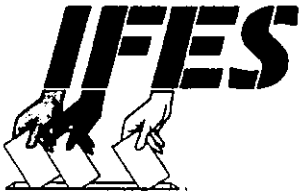
Since 1959 worked in the state-owned collective farm Khmeliovyk, Barydhivka region, Kiev oblast. Then worked as an agriculture specialist and head of the same region. Since 1967 was a Head of collective farm named after S.Kirov, later - Director of state collective farm named after V.Lenin. Since 1974 was deputy-head of Baryshivskiy Trust of state collective farms producing diary products and vegetables. In 1979-81 after Academy of Social Science was deputy Chairman of the department of agriculture, Kiev oblast Communist party Committee. Since 1981 - Director of Kiev Trust of state collective farms producing diary products and vegetables. Since 1982 - Chairman of department of agriculture and food industry, Kiev oblast Communist party Committee.

In 1984 was elected First deputy Chairman, than Chairman of Kiev oblast executive committee; since 1990 - Chairman of Kiev oblast Council of People's Deputies. at the same time since 1985 he was Deputy-Chairman of the Supreme Rada of Ukraine.

In 1990 he was elected First deputy Chairman of the Supreme Rada of Ukraine; in December 1991 he was the Chairman of the Supreme Rada.

Under his leadership the Supreme Rada of Ukraine adopted a number of documents of historical importance. These are Declaration on Sovereignty and the Act on State Independence of Ukraine. For the period of the last four years legislative basis for the democratic and independent Ukraine was established. As well as the fundamentals providing for the development of the Ukrainian economy, various spheres of life and broad international co-operation. Ivan Pliushch made every effort to put the efforts of People's Deputies representing different political parties and factions together for the benefit of Ukraine.

On 27th March Ivan Pliushch was elected People's Deputy in Borznyanskiy constituency, Chernihiv oblast.



International Foundation for Electoral Systems **Міжнародна Фундація Виборчих Систем**

Institutska 27/6, Suite 5, 2nd fl., Kiev, Ukraine • Phone (044) 293-6000 • Fax (044) 293-8029

COMPLETE PRE-ELECTION PROGRAM

Critically assessing the situation that we are having today in political, economical and cultural spheres I am convinced that Ukraine has all the possibilities in the near future to stabilize the situation and lift living standards to decent level.

My life, work and political experience, professional knowledge allow me to determine me the priorities, that will help to overcome difficulties and crisis phenomena that we have faced under period of transition, change things for better.

My first and most important concern is to serve the needs and interests of independent state, its people and every individual.

The strategy and tactics of my program are as follows:

IN ECONOMY

- economic reforms shall be carried on for People's benefit but not at their expense. I will concentrate on concrete things to be done, like banking and financial system reforms, rather than consider utopian programs. I will also assist the development of free and civilized entrepreneurship and fight unfair prices and inflation. Both prices and wages policy shall be balanced as well;
- we shall proceed with reforms in a way that will stop vulgar enrichment at the expense of most of the people;
- economic renaissance of Ukraine means the establishment of the strong and effective socially-oriented economy by way of its structural reconstruction and introduction of new technologies;
- fair privatization and creation of equal start-up conditions for every individual to take part in it and guarantees of equal opportunities for all forms of ownership and economic activity, so that everyone can feel himself the owner of means of production as well as the results of his work ;
- comprehensive development of agricultural complex; the development of social sphere in the rural areas; state support for both collective and individual farms; pay-backs of debts to the village; establishment of the stable parity in prices for agriculture and industrial products.

IN SOCIAL SPHERE

- constant observation of the principles stipulated in the General Declaration of Human Rights, as well as the other legal acts that guarantee free and comprehensive development of an individual and his reliable social security;
- progressive improvement of living standards to be based on increase of wages. Together with decrease of spending in manufacturing sector that will also include bringing the taxes, prices for consumer-goods and numerous extras down.
- avoidance of massive unemployment; social security for the most vulnerable strata of population, war and labor veterans, retired, large families, invalids, lonely and people of age, students, support for those who lost bread-winner; establishment of pensions and monetary support of no less than subsistence minimum;
- compensation of savings devalued due to inflation at the level their 1990 buying capacity. Increase in production of consumer goods for children, support for women, young families and young people;



Based on CEC information

May, 1994

- establishment of decent living standards; development of forestry, national parks and ecological reservations;
- ecologically-oriented approach to the city-planning and construction in both rural and urban areas; conservation of new and reconstruction of operating nuclear power-plants and harmful industries; introduction of ecologically clean and wasteless technologies; prior attention to the improvement of the environment in the areas affected by Chornobyl disaster;
- spiritual renaissance of Ukrainian people; development of culture and language; material support to the system of education, health care, secure communal services, physical culture and sports; respect to the role of religion in the renaissance of our society; further development of science and fundamental research.

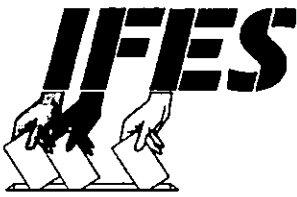
IN STATE CONSTRUCTION

- creation of humane democratic civil society, achieving of well-being and spiritual freedom of nation; strengthening of state, political and economic sovereignty of Ukraine;
- adoption of the new Constitution of Ukraine, observation of principles of divisions of powers; improving mechanisms for interaction between legislative, executive and juridical branches of power; establishment of the state where the rule of law is observed; the people of Ukraine shall be the source of the rule of the power; the life of an individual, his rights and freedoms shall be considered as the most precious values; languages and religions of all nationalities populating Ukraine shall be observed and respected;
- assessing the experience of the developed countries and taking into account national differences, we shall develop legislative framework that would allow us to provide for such territorial integrity, that would combine state, regional and local interests;
- we shall further improve representative bodies of power in a form of councils and in reforming them we shall observe the principles of local self-administration and create necessary legal, financial and economic basis for their functioning;
- we shall provide for preserving peace, consent and civil order in Ukraine, strengthen justice and public order, fight organized crime and corruption; we shall also provide for protection of dignity, honor, life and health of people;
- establishment of Ukrainian Armed Forces and constant attention to the needs of the military servicemen and their families.

IN INTERNATIONAL POLICY

- wide-scale economic integration of Ukrainian national economy with the countries of the world and first of all with CIS countries; gradual integration into European and world commonwealth, provided that the necessary legal basis and relevant precondition are established to achieve the goal;
- strengthening of the international image of Ukraine as a large, peaceful and respected European power, preservation of its territorial integrity and inviolability;
- preservation of peace, prevention of conflicts; strengthening the status of Ukraine as peaceful non-allied and non-nuclear power.

I will do my every effort for our young independent country to be amongst well-developed and highly respected countries of Europe and the rest of the world.



International Foundation for Electoral Systems
Міжнародна Фундація Виборчих Систем

Institutska 27/6, Suite 5, 2nd fl., Kiev, Ukraine • Phone (044) 293-6000 • Fax (044) 293-8029

PRESIDENTIAL CANDIDATE

PETRO TALANCHUK

TOTAL NUMBER OF SIGNATURES COLLECTED*

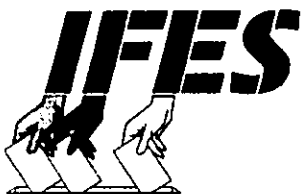


* Pursuant to Article 25 of the Election Law for the President of Ukraine



Based on CEC Information

May, 1994



International Foundation for Electoral Systems Міжнародна Фундація Виборчих Систем

Institutska 27/6, Suite 5, 2nd fl., Kiev, Ukraine • Phone (044) 293-6000 • Fax (044) 293-8029

CANDIDATE FOR PRESIDENT OF UKRAINE

PETRO TALANCHUK

BACKGROUND:

March, 1992 present Minister of Education of Ukraine; President of the Ukrainian Academy of Engineering Sciences, academician of both the Ukrainian Academy of Pedagogical Sciences and New York Academy of sciences; developed the State National Program "Education (Ukraine 21st century)"; author of more than 150 scientific publications and 5 monographs and 3 text-books. 1989-1991 people's deputy of Ukraine.

After school worked on collective farm; researcher, senior lecturer, professor, deputy-rector, head of department, rector of Kiev Polytechnic Institute.



Photo: Ministry of Education

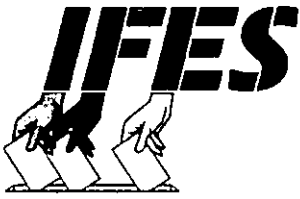
PERSONAL:

Graduated from Kiev Polytechnic Institute with honors in 1965. Born in 1938 in the village Gor-Kostivtsi, Kiev oblast; married, has three children and four grandchildren.

EXERPT FROM PRE-ELECTION PROGRAM

For a long time we have lived and worked for the state. It is high time for the state to develop and to serve the needs of every citizen. For these purposes it shall be independent, homogeneous and democratic, where the rule of law is observed. Under present day circumstances Ukraine needs to become Presidential type of a state.

0



International Foundation for Electoral Systems

Міжнародна Фундація Виборчих Систем

Institutska 27/6, Suite 5, 2nd fl., Kiev, Ukraine • Phone (044) 293-6000 • Fax (044) 293-8029

SELECTED POINTS FROM PRE-ELECTION PROGRAM

In these difficult times our primary objective is to solidify people in their support of reforms to overcome crisis.

THE STATE SHALL SERVE THE NEEDS OF THE PEOPLE

- *independence and integrity of Ukraine shall be ensured by unitarian state structure;*
- *democracy shall be ensured by strict division between three powers, perfect mechanism of direct and representative democracy;*
- *legitimate character of the state structure shall be enforced by priority of the people's interests over the interests of the state;*
- *Ukrainian Armed Forces shall be established on a volunteer basis offering broad opportunities for alternative service.*

BASIC FUNDAMENTALS OF ECONOMIC POLICY

- *Ukrainian economy shall be versatile, market and socially oriented;*
- *provide for structural reconstruction of our economy, facilitate attraction of foreign capital on a beneficial basis;*
- *step-by-step we shall take over the state-owned property on the forms that would secure social justice and make national riches available for the citizen;*
- *offer preferential terms for manufacturers;*
- *we shall proceed with monetary reform;*
- *to index savings of the individuals;*
- *provide basis for real versatile agriculture economy, facilitate the development of social and cultural infrastructure in the rural areas;*
- *preserve the system of state orders for basic kinds of agriculture products, provided that it would gradually decrease;*
- *provide for legal protection of intellectual property.*

SOCIAL POLICY

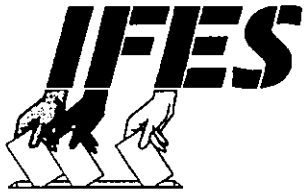
- *social sphere shall be financed mainly from the state budget;*
- *ensure equality of all ethnic groups populating Ukraine;*
- *to lift minimal pensions for retired and to establish them depending on years-at-work basis and wage;*
- *we shall provide every individual with free education, free health care and recreation and availability for our children to enjoy all institutional facilities to develop creative work;*
- *the program of social adaptation for those dismissed from the Armed Forces shall be worked out.*

ECOLOGICAL SAFETY.

- *review the program of measures to overcome Chernobyl disaster aftermath;*
- *create such a condition that the poisoning of the environment will be economically inefficient;*
- *public shall take control over environment.*

INTERNATIONAL POLICY

- *international policy of Ukraine is based on the principles of equal and mutually-beneficial cooperation with Russia, other CIS states, European countries and the rest of the world commonwealth;*
- *the borders of Ukraine shall never be barriers for family, economic and cultural ties.*



International Foundation for Electoral Systems
Міжнародна Фундація Виборчих Систем

Institutska 27/6, Suite 5, 2nd fl., Kiev, Ukraine • Phone (044) 293-6000 • Fax (044) 293-8029

PETRO MYKHAILOVYCH TALANCHUK

BIOGRAPHY

Born in 1938 in the village Gor-Kosivtsi, Kiev oblast. After school worked in the collective farm, then was recruited to the military service.

In 1960 entered Kiev Polytechnic Institute and graduated with honors in 1965. The following years were also devoted to the same Institute: researcher, senior lecturer, professor, deputy-rector, chairman of department, rector.

In 1989-91 - People's Deputy to the USSR Parliament.

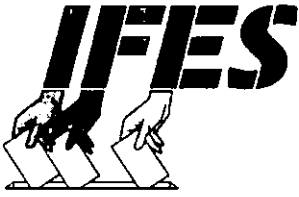
Since 1992 - Minister of Education of Ukraine.

Under his leadership the State National Program "Education (Ukraine 21st century)" was worked out which is being implemented now. The program is aimed to bring education in Ukraine to the new world level.

Petro M. Talanchuk is a Doctor of Technical Sciences, professor, President of the Ukrainian Academy of Engineering Sciences, academician of both the Ukrainian Academy of Pedagogical Sciences and New-York Academy of Sciences.

He is the author of more than 150 scientific publications and the author of 5 monographs and 3 text-books, in particular.

Married, has three children and four grand children.



International Foundation for Electoral Systems **Міжнародна Фундація Виборчих Систем**

Institutska 27/6, Suite 5, 2nd fl., Kiev, Ukraine • Phone (044) 293-6000 • Fax (044) 293-8029

COMPLETE PRE-ELECTION PROGRAM

TO LIVE DECENT LIFE TODAY

Ukraine is coming to the end of the 20th century and is in deep crisis, that paralysed nearly all spheres of social life and put in jeopardy both the future of the Ukrainian people and independence of the Ukrainian state.

In these difficult times our primary objective is to solidify people in their support of reforms to overcome crisis.

1. THE STATE SHALL SERVE THE NEEDS OF THE PEOPLE

For a long time we have lived and worked for the state. It is high time for the state to develop and to serve the needs of every citizen. For these purposes it shall be independent, homogeneous and democratic, where the rule of law is observed. Under present day circumstances Ukraine needs to become Presidential type of a state.

Independence and integrity of Ukraine shall be ensured by unitarian state structure: territorial integrity; optimal divisions of powers between state, regional and municipal administrations with more economic freedoms for the regions and territories. All the aforementioned shall be laid down in the Constitution.

Democracy shall be ensured by strict division between three powers, free development of all democratic institutions, perfect mechanism of direct and representative democracy.

Legitimate character of the state structure shall be enforced by: priority of the people's interests over the interests of the state; functioning of public structures to exercise effective control over administration to ensure the observance of the citizen's rights; equal pre-conditions for the activities of various parties, movements and public organizations; social integrity and real independence of mass media as the 'fourth power' that ensures broad information flow within the nation through pluralism and glasnost.

Ukrainian Armed Forces shall be established on a volunteer basis offering broad opportunities for alternative service.

2. BASIC FUNDAMENTALS OF OUR ECONOMIC POLICY

Ukrainian economy shall be versatile, market and socially-oriented, with high-tech, ecologically safe manufacturing industries.

We shall guarantee equal opportunities to all forms of ownership; facilitate the development of private business; ensure all opportunities for the development of state-owned sector; provide for the structural reconstruction of our economy; facilitate attraction of foreign capital on a beneficial basis.

Step-by-step we shall take over the state owned property in a way that would secure social justice and make national riches available for the citizen. We shall de-monopolize the Ukrainian economy and fight hard against mafia and corruption.

We shall provide for flexible well-balanced credit, financial, tax and price policy; offer preferential terms for manufacturers and, in particular, for those who produce consumer goods. As an exception, we shall keep state control over the prices for certain types of goods and services for the most vulnerable strata of population.

We shall proceed with monetary reform and actively provide for anti-inflation measures; to index savings of the individuals and to introduce full-fledged national currency.



Within agriculture reform we shall provide basis for real versatile agriculture economy; equal opportunities for all forms of collective and private entrepreneurship; free choice of use or ownership for those who cultivate land and work on it. We shall facilitate the development of social and cultural infrastructure in the rural areas; preserve the system of state orders for the basic kinds of agriculture products, provided that it would gradually decrease then.

To bring production on a new technical level we shall provide for legal protection of intellectual property; facilitate proper use of economic mechanisms to introduce new inventions into production. The state shall finance scientific research only on competitive basis.

3. SOCIAL POLICY

Every individual shall have all the opportunities for education, health care, cultural leisure and spiritual development.

Social sphere shall be financed mainly from the state budget and its private sector may operate on strict legal basis and controlled by the state, as well as by public bodies.

Social sphere 'produces' the most important resources for the society, which are knowledge and health, culture and morality and that's why it can't be regarded as 'non-productive'.

We shall educate people to respect all-human values; ensure equality of all ethnic groups populating Ukraine, as well as intellectual freedom of each individual.

Up-grading language culture through the nation could serve as important guarantee of inter-national peace and social order. This implies fluency in both Ukrainian, Russian and other languages as well.

State social policy shall be active and prevent massive bankruptcy of enterprises; it shall provide for creation of new jobs, increase public sector, and establish decent living for temporarily unemployed.

Retired shall enjoy most preferential status. It is urgent to lift minimal pensions for retired and to establish them depending on years-at-work basis and wage.

Old people shall be respected throughout the nation again.

We shall provide every individual with free education, free health-care and recreation and availability for our children to enjoy all institutional facilities to develop creative work.

We can't afford decrease of living standards for those who are dismissed from the Armed Forces. The program of their social adaptation shall be worked out and the society shall arrange for their housing and jobs.

We shall constantly take care about mothers to ensure increase in births, improve child-care and family support.

We shall provide pre-conditions so that every young man could find in society the place he deserves.

4. ECOLOGICAL SAFETY

Bearing in mind the realities of these days we shall review the program of measures to overcome Chernobyl disaster aftermath. We shall undertake steps as to the ecological checks of industries and create such conditions, when the poisoning of the environment will be economically inefficient and would lead to insolvency. The public shall take control over environment.

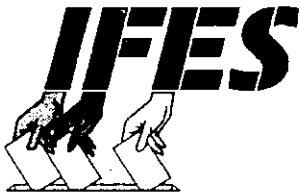
5. INTERNATIONAL POLICY

International policy of Ukraine is based on the principles of equal and mutually-beneficial political, economic, scientific and cultural co-operation with Russia, other CIS states, European countries and the rest of the world commonwealth.

The borders of Ukraine shall become barriers for drugs, weapon, illegal immigration, but shall never be barriers for family, economic and cultural ties.

Ukrainian State has all opportunities to solidify the society and to provide for better living even today.

Human life - is the most and indisputable value!



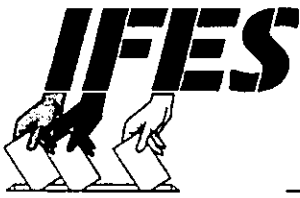
International Foundation for Electoral Systems
Міжнародна Фундація Виборчих Систем

Institutska 27/6, Suite 5, 2nd fl., Kiev, Ukraine • Phone (044) 293-6000 • Fax (044) 293-8029

**LIST OF
CAMPAIGN AGENTS*
(AUTHORIZED PERSONS)
OF THE PRESIDENTIAL CANDIDATES**

CANDIDATE	CAMPAIGN AGENT	TEL No.
Valeriy Babych	Victor Nikulych	(044) 228-9301
Leonid Kravchuk	Mykola Chaiun	(044) 291-5114
Leonid Kuchma	Dmytro Tabachnyk	(044) 226-2538
Volodymyr Lanoviy	Volodymyr Melnychenko	(044) 559-4722 (044) 552-1108
Oleksander Moroz	Petro Zolotarenko	(044) 291-6063
Ivan Pliushch	Mykhayko Hashchenko	(044) 293-1640
Petro Talanchuk	Victor Shcherbakov	(044) 216-7492

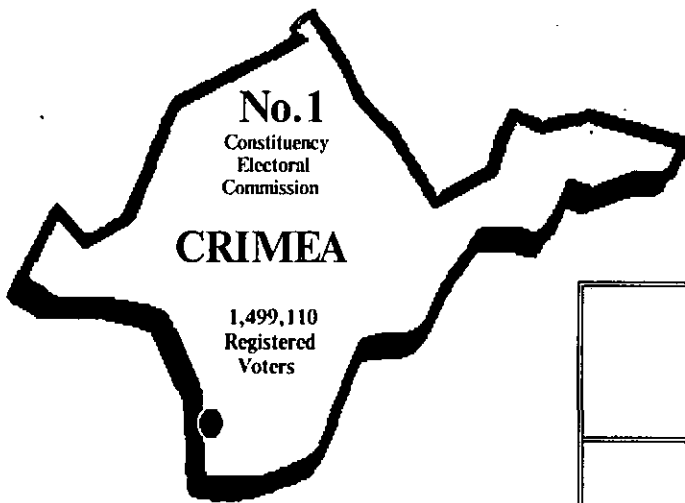
* This list includes only the primary campaign agents of the Presidential candidates, located in the city of Kiev.



International Foundation for Electoral Systems
Міжнародна Фундація Виборчих Систем

Institutska 27/6, Suite 5, 2nd fl., Kiev, Ukraine • Phone (044) 293-6000 • Fax (044) 293-8029

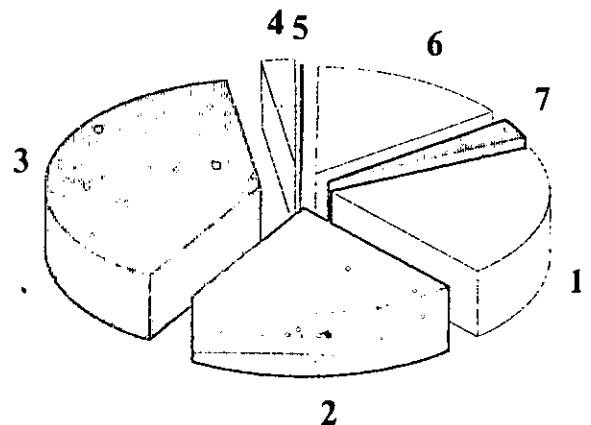
**TOTAL NUMBER OF SIGNATURES
 COLLECTED BY PRESIDENTIAL CANDIDATES
 IN
 CONSTITUENCY No. 1**



Constituency Electoral Commission No.1		
Karl Marx str., 18 333000, Simferopol Tel: 8-(0652) 27-9316		
TITLE	NAME	TEL No.
Chairman	Victor Alsufyev	27-9316
Deputy Chairman	Yuriy Saharov	27-9306
Secretary	Mykhailo Aliabishev	

No.	CANDIDATE	CS*
1	Valeriy Babych	4,190
2	Leonid Kravchuk	4,201
3	Leonid Kuchma	7,980
4	Volodymyr Lanoviy	494
5	Oleksander Moroz	88
6	Ivan Pliushch	3,050
7	Petro Talanchuk	576

* collected signatures

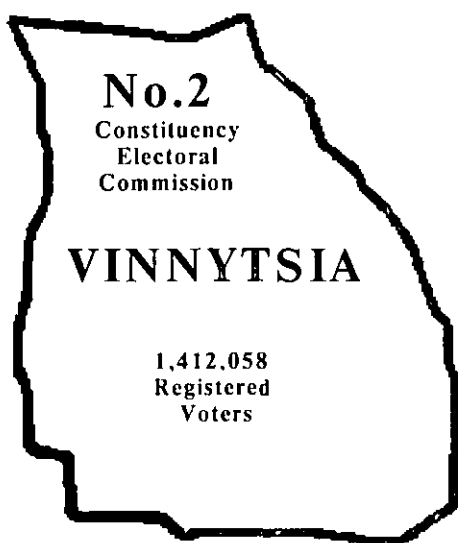




International Foundation for Electoral Systems
Міжнародна Фундація Виборчих Систем

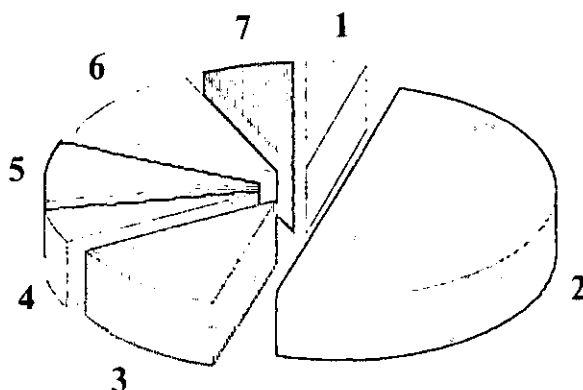
Institutska 27/6, Suite 5, 2nd fl., Kiev, Ukraine • Phone (044) 293-6000 • Fax (044) 293-8029

**TOTAL NUMBER OF SIGNATURES
 COLLECTED BY PRESIDENTIAL CANDIDATES
 IN
 CONSTITUENCY No. 2**



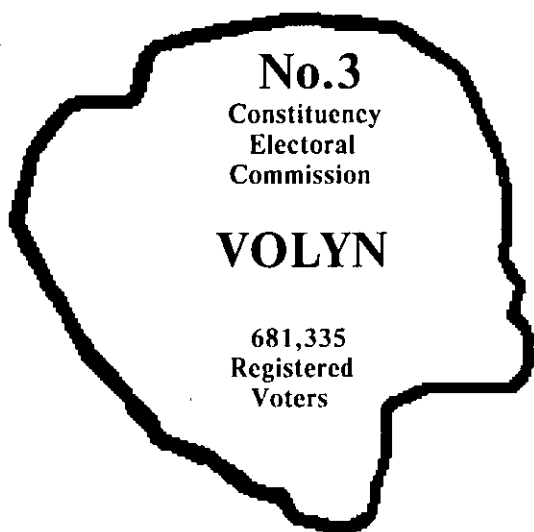
Constituency Electoral Commission No.2		
Lenin str., 70 286000, Vinnytsia Tel: 8-(04322) 32-4023		
TITLE	NAME	TEL No.
Chairman	Petro Ishchenko	32-2969
Deputy Chairman	Anatoliy Babytch	46-4116
Secretary	Anatoliy Krayilo	32-0669

No.	CANDIDATE	CS*
1	Valeriy Babych	1,678
2	Leonid Kravchuk	18,865
3	Leonid Kuchma	4,746
4	Volodymyr Lanoviy	1,811
5	Oleksander Moroz	3,517
6	Ivan Pliushch	4,391
7	Petro Talanchuk	2,504



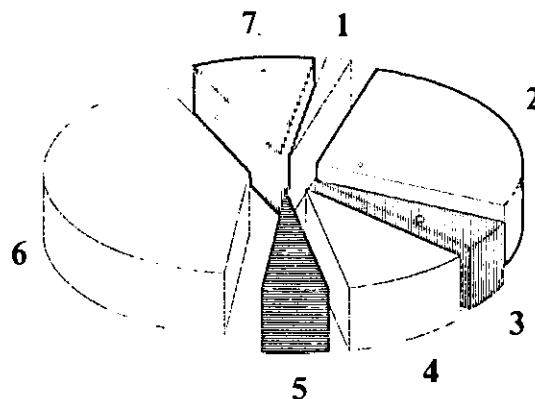
* collected signatures

**TOTAL NUMBER OF SIGNATURES
 COLLECTED BY PRESIDENTIAL CANDIDATES
 IN
 CONSTITUENCY No. 3**

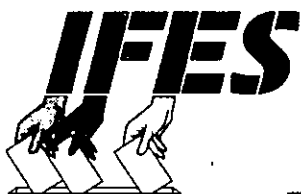


Constituency Electoral Commission No.3		
Maidan Kiyevskiy, 9 263027, Lutsk Tel: 8-(03322) 4-5966		
TITLE	NAME	TEL No.
Chairman	Petro Onyshchuk	2-4354
Deputy Chairman	Anatoliy Ivanov	3-3935
Secretary	Victor Maksymuk	4-5966

No.	CANDIDATE	CS*
1	Valeriy Babych	594
2	Leonid Kravchuk	8,284
3	Leonid Kuchma	1,459
4	Volodymyr Lanoviy	3,030
5	Oleksander Moroz	1,632
6	Ivan Pliushch	12,418
7	Petro Talanchuk	2,929



* collected signatures



International Foundation for Electoral Systems
Міжнародна Фундація Виборчих Систем

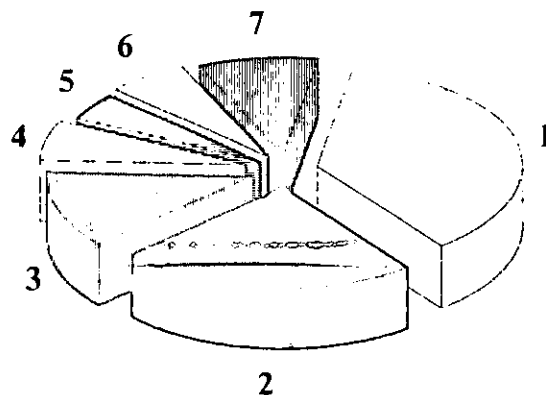
Institutska 27/6, Suite 5, 2nd fl., Kiev, Ukraine • Phone (044) 293-6000 • Fax (044) 293-8029

**TOTAL NUMBER OF SIGNATURES
 COLLECTED BY PRESIDENTIAL CANDIDATES
 IN
 CONSTITUENCY No. 4**

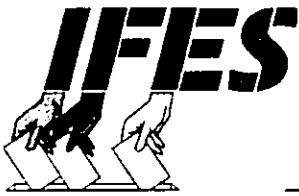


Constituency Electoral Commission No.4		
pr. Kirova, 1 320004, Dnipropetrovsk Tel: 8-(0562) 42-8630		
TITLE	NAME	TEL No.
Chairman	Mykola Skliar	(05612) 2-7164
Deputy Chairman	Yuriy Kyrpa	42-8608
Secretary	Volodymyr Steblianko	42-8610

No.	CANDIDATE	CS*
1	Valeriy Babych	43,692
2	Leonid Kravchuk	27,694
3	Leonid Kuchma	14,900
4	Volodymyr Lanoviy	7,320
5	Oleksander Moroz	5,807
6	Ivan Pliushch	7,481
7	Petro Talanchuk	10,898



* collected signatures



International Foundation for Electoral Systems
Міжнародна Фундація Виборчих Систем

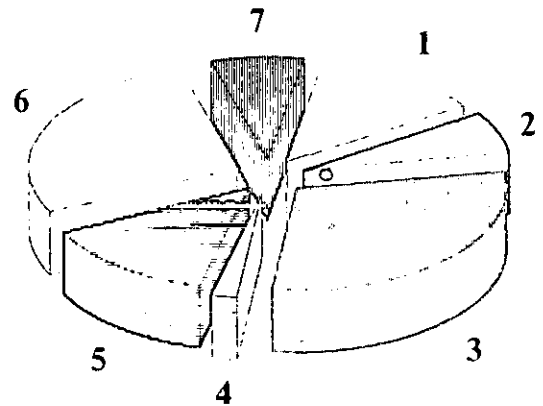
Institutska 27/6, Suite 5, 2nd fl., Kiev, Ukraine • Phone (044) 293-6000 • Fax (044) 293-8029

**TOTAL NUMBER OF SIGNATURES
 COLLECTED BY PRESIDENTIAL CANDIDATES
 IN
 CONSTITUENCY No. 5**

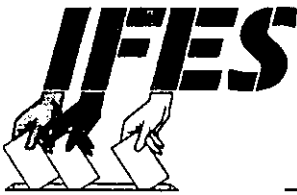


Constituency Electoral Commission No.5		
bulvar Pushkina, 34 340105, Donetsk Tel: 8-(0622) 90-7182		
TITLE	NAME	TEL No.
Chairman	Valeriy Perèverziev	9-3971
Deputy Chairman	Valentyna Voronova	90-7182
Secretary	Olena Zorina	90-7691

No.	CANDIDATE	CS*
1	<i>Valeriy Babych</i>	11,326
2	<i>Leonid Kravchuk</i>	5,783
3	<i>Leonid Kuchma</i>	25,543
4	<i>Volodymyr Lanoviy</i>	1,776
5	<i>Oleksander Moroz</i>	11,932
6	<i>Ivan Pliushch</i>	24,069
7	<i>Petro Talanchuk</i>	6,088



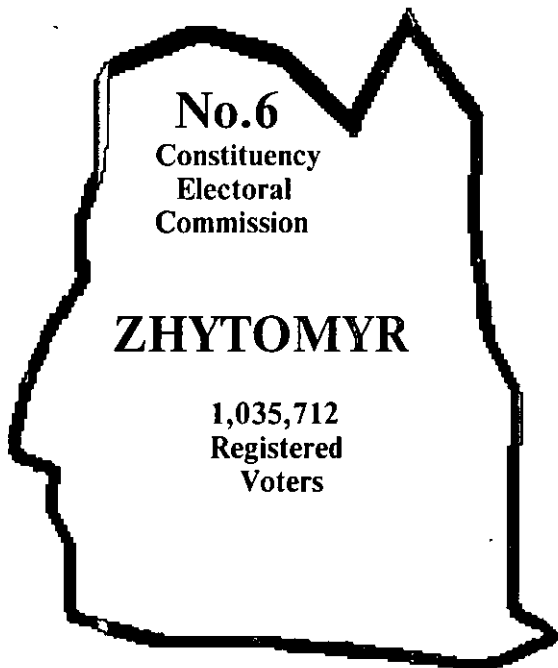
* collected signatures



International Foundation for Electoral Systems
Міжнародна Фундація Виборчих Систем

Institutska 27/6, Suite 5, 2nd fl., Kiev, Ukraine • Phone (044) 293-6000 • Fax (044) 293-8029

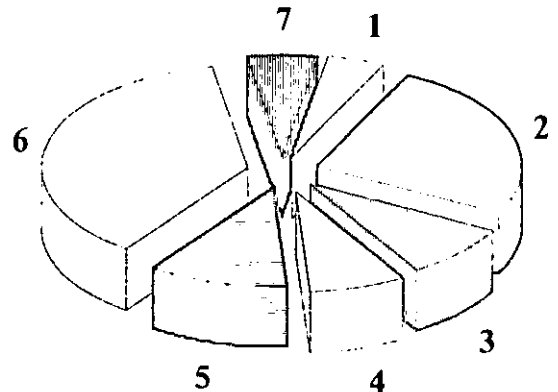
TOTAL NUMBER OF SIGNATURES
COLLECTED BY PRESIDENTIAL CANDIDATES
IN
CONSTITUENCY No. 6

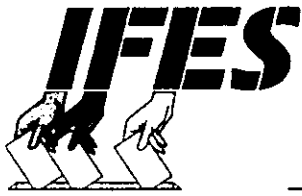


Constituency Electoral Commission No.6		
ploshcha Rad, 1 262001, Zhytomyr Tel: 8-(0412) 37-0445		
TITLE	NAME	TEL No.
Chairman	Hryhoriy Yenko	37-0445
Deputy Chairman	Leontiy Kozyratskiy	37-0445
Secretary	Halyna Koval'	37-0445

No.	CANDIDATE	CS*
1	<i>Valeriy Babych</i>	1,736
2	<i>Leonid Kravchuk</i>	9,389
3	<i>Leonid Kuchma</i>	3,243
4	<i>Volodymyr Lanoviy</i>	2,788
5	<i>Oleksander Moroz</i>	4,104
6	<i>Ivan Pliushch</i>	13,788
7	<i>Petro Talanchuk</i>	2,008

* collected signatures

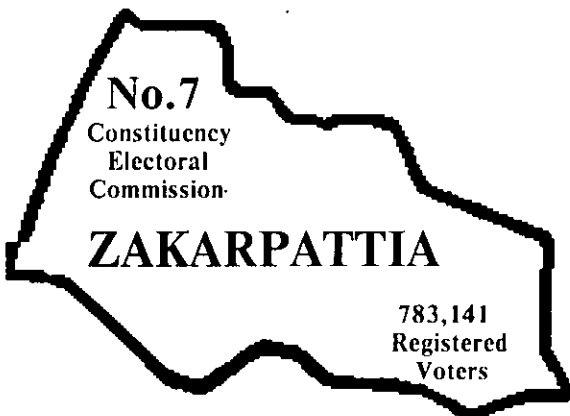




International Foundation for Electoral Systems
Міжнародна Фундація Виборчих Систем

Institutska 27/6, Suite 5, 2nd fl., Kiev, Ukraine • Phone (044) 293-6000 • Fax (044) 293-8029

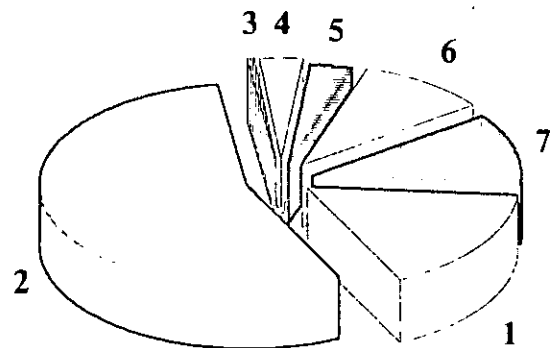
TOTAL NUMBER OF SIGNATURES
COLLECTED BY PRESIDENTIAL CANDIDATES
IN
CONSTITUENCY No. 7

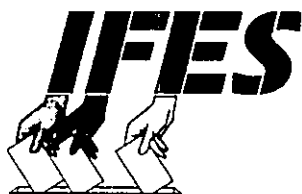


Constituency Electoral Commission No.7		
pl. Narodna, 4 293008, Uzhorod Tel: 8-(03122) 3-5293		
TITLE	NAME	TEL No.
Chairman	Illia Brusso	3-5293
Deputy Chairman	Vasyl' Balazh	3-5293
Secretary	Andriy Sheketa	3-3076

No.	CANDIDATE	CS*
1	<i>Valeriy Babych</i>	3,663
2	<i>Leonid Kravchuk</i>	12,107
3	<i>Leonid Kuchma</i>	124
4	<i>Volodymyr Lanoviy</i>	772
5	<i>Oleksander Moroz</i>	722
6	<i>Ivan Plushch</i>	2,195
7	<i>Petro Talanchuk</i>	2,486

* collected signatures

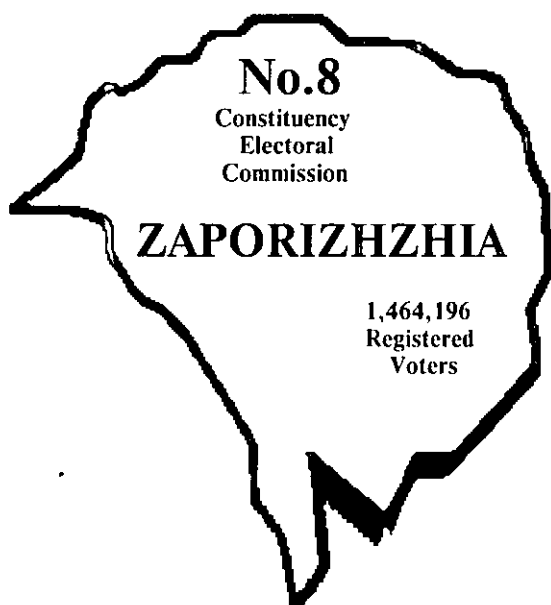




International Foundation for Electoral Systems
Міжнародна Фундація Виборчих Систем

Institutska 27/6, Suite 5, 2nd fl., Kiev, Ukraine • Phone (044) 293-6000 • Fax (044) 293-8029

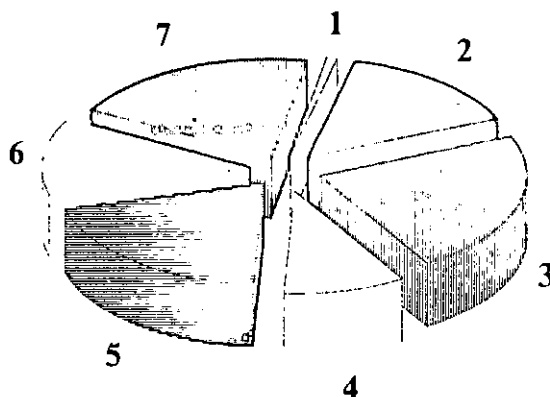
**TOTAL NUMBER OF SIGNATURES
 COLLECTED BY PRESIDENTIAL CANDIDATES
 IN
 CONSTITUENCY No. 8**



Constituency Electoral Commission No.8		
maidan Oktiabrskiy, oblasna Rada 330107, Zaporizhzhia Tel: 8-(06122) 39-0404		
TITLE	NAME	TEL No.
Chairman	Oleksander Paul'skiy	33-4037
Deputy Chairman	Valentyn Shul'ts	59-1580
Secretary	Ivan Pryshchenko	34-8632

No.	CANDIDATE	CS*
1	<i>Valeriy Babych</i>	393
2	<i>Leonid Kravchuk</i>	6,064
3	<i>Leonid Kuchma</i>	9,331
4	<i>Volodymyr Lanoviy</i>	3,740
5	<i>Oleksander Moroz</i>	8,157
6	<i>Ivan Pliushch</i>	5,001
7	<i>Petro Talanchuk</i>	7,950

* collected signatures

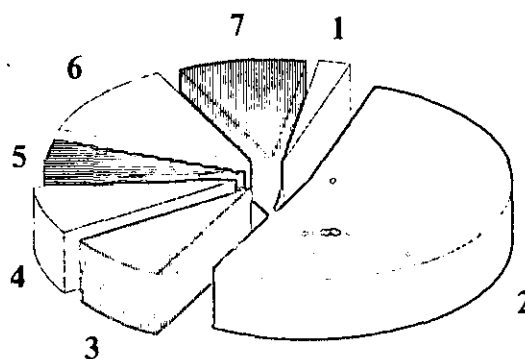


**TOTAL NUMBER OF SIGNATURES
 COLLECTED BY PRESIDENTIAL CANDIDATES
 IN
 CONSTITUENCY No. 9**

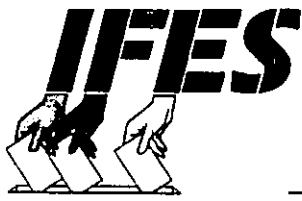


Constituency Electoral Commission No.9		
Hrushevskoho, 21 284004, Ivano-Frankivsk Tel: 8-(03422) 2-5245. 2-5048		
TITLE	NAME	TEL No.
Chairman	Myroslav Slepko	2-5245
Deputy Chairman	Roman Dunets	
Secretary	Oliha Ruda	2-2291

No.	CANDIDATE	CS*
1	<i>Valeriy Babych</i>	679
2	<i>Leonid Kravchuk</i>	12,991
3	<i>Leonid Kuchma</i>	2,036
4	<i>Volodymyr Lanoviy</i>	1,952
5	<i>Oleksander Moroz</i>	1,574
6	<i>Ivan Pliushch</i>	3,006
7	<i>Petro Talanchuk</i>	2,504



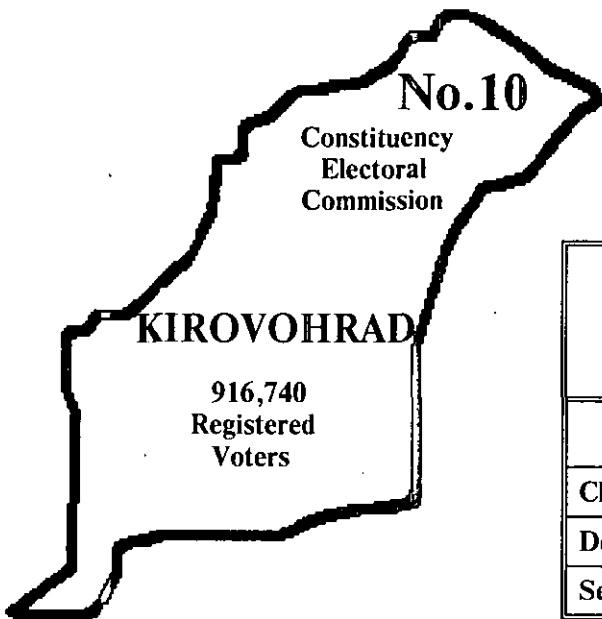
* collected signatures



International Foundation for Electoral Systems
Міжнародна Фундація Виборчих Систем

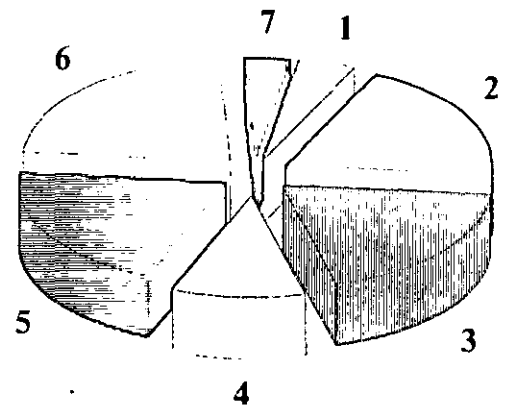
Institutska 27/6, Suite 5, 2nd fl., Kiev, Ukraine • Phone (044) 293-6000 • Fax (044) 293-8029

TOTAL NUMBER OF SIGNATURES
COLLECTED BY PRESIDENTIAL CANDIDATES
IN
CONSTITUENCY No. 10



Constituency Electoral Commission No.10		
pl. Kirova, 1 316022, Kirovohrad Tel: 8-(0522) 22-7482		
TITLE	NAME	TEL No.
Chairman	Stanislav Ianchukov	
Deputy Chairman	Stanislav Nimchenko	
Secretary	Victor Poltavets	22-7482

No.	CANDIDATE	CS*
1	Valeriy Babych	1,553
2	Leonid Kravchuk	6,435
3	Leonid Kuchma	6,455
4	Volodymyr Lanoviy	3,435
5	Oleksander Moroz	6,870
6	Ivan Pliushch	7,505
7	Petro Talanchuk	1,205



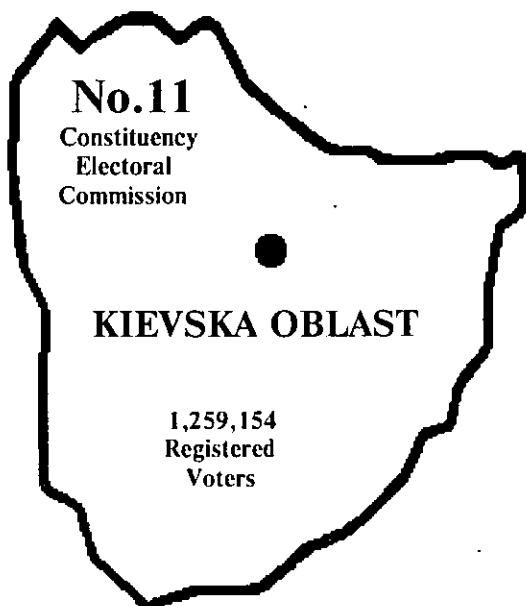
* collected signatures



International Foundation for Electoral Systems
Міжнародна Фундація Виборчих Систем

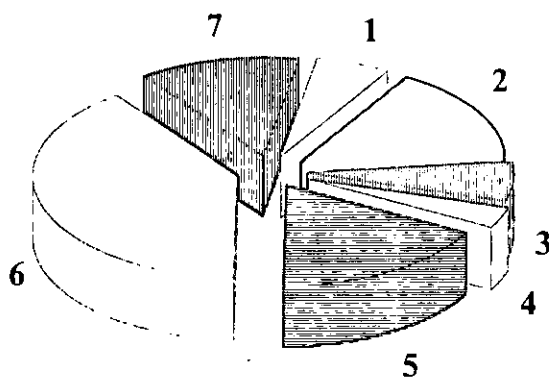
Institutska 27/6, Suite 5, 2nd fl., Kiev, Ukraine • Phone (044) 293-6000 • Fax (044) 293-8029

**TOTAL NUMBER OF SIGNATURES
 COLLECTED BY PRESIDENTIAL CANDIDATES
 IN
 CONSTITUENCY No. 11**

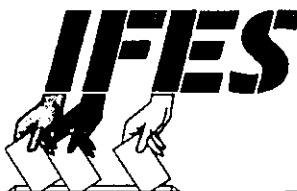


Constituency Electoral Commission No.11		
pl. Kesi Ukrayinki, 1 252196, Kiev Tel: (044) 296-8166		
TITLE	NAME	TEL No.
Chairman	Volodymyr Medvedenko	293-1385
Deputy Chairman	Oleksander Yakshin	
Secretary	Borys Mykhailyk	296-8166

No.	CANDIDATE	CS*
1	Valeriy Babych	3,062
2	Leonid Kravchuk	7,480
3	Leonid Kuchma	3,311
4	Volodymyr Lanoviy	1,713
5	Oleksander Moroz	8,842
6	Ivan Pliushch	20,273
7	Petro Talanchuk	6,442



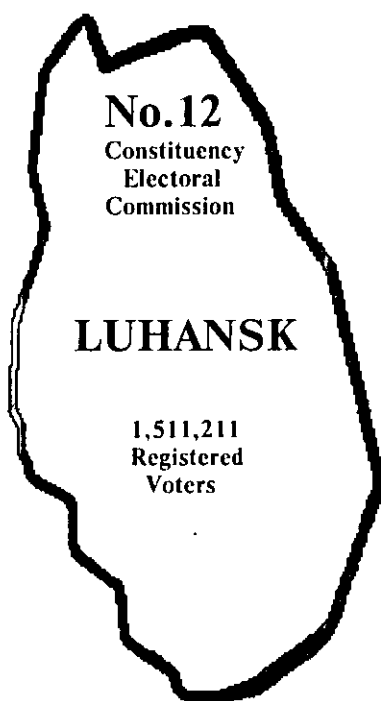
* collected signatures



International Foundation for Electoral Systems
Міжнародна Фундація Виборчих Систем

Institutska 27/6, Suite 5, 2nd fl., Kiev, Ukraine • Phone (044) 293-6000 • Fax (044) 293-8029

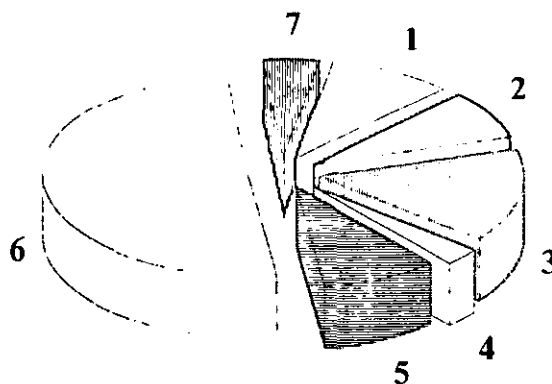
**TOTAL NUMBER OF SIGNATURES
COLLECTED BY PRESIDENTIAL CANDIDATES
IN
CONSTITUENCY No. 12**

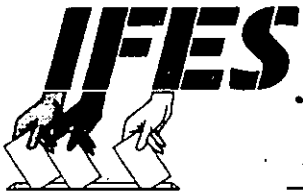


Constituency Electoral Commission No.12		
pl. Heroyiv Velikoyi Vitshiznianoyi Viyni, 3 348000, Luhansk		
Tel: 8-(0642) 52-5525		
Fax: 8-(0642) 52-2478		
TITLE	NAME	TEL No.
Chairman	Hennadiy Bidniak	54-3566
Deputy Chairman	Borys Rozovskiy	57-4397
Secretary	Olena Konikova	52-5525

No.	CANDIDATE	CS*
1	<i>Valeriy Babych</i>	6,172
2	<i>Leonid Kravchuk</i>	5,056
3	<i>Leonid Kuchma</i>	9,318
4	<i>Volodymyr Lanoviy</i>	1,673
5	<i>Oleksander Moroz</i>	5,701
6	<i>Ivan Pliushch</i>	31,260
7	<i>Petro Talanchuk</i>	2,586

* collected signatures

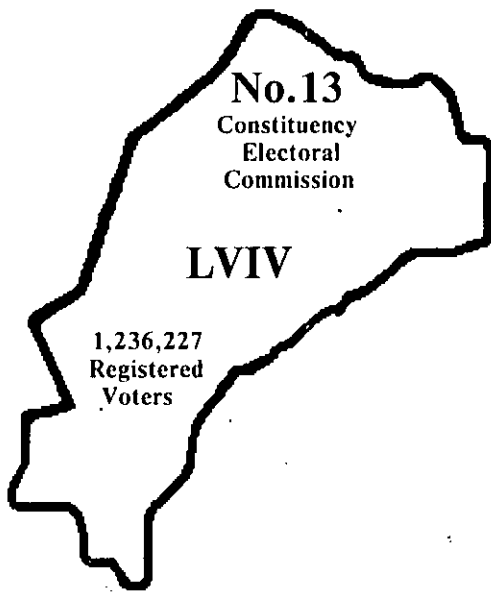




International Foundation for Electoral Systems
Міжнародна Фундація Виборчих Систем

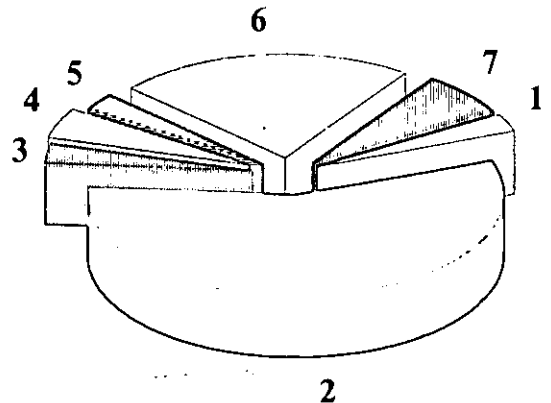
Institutska 27/6, Suite 5, 2nd fl., Kiev, Ukraine • Phone (044) 293-6000 • Fax (044) 293-8029

**TOTAL NUMBER OF SIGNATURES
 COLLECTED BY PRESIDENTIAL CANDIDATES
 IN
 CONSTITUENCY No. 13**

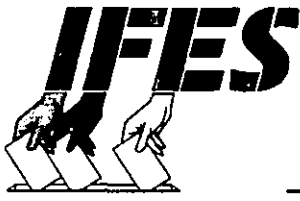


Constituency Electoral Commission No.13		
Vynnychenka, 18 290601, Lviv Tel: 8-(0322) 79-8227		
TITLE	NAME	TEL No.
Chairman	Yuriy Kuzheliuk	79-8227
Deputy Chairman	Vitaliy Zubko	79-8227
Secretary	Roman Tertula	72-5063

No.	CANDIDATE	CS*
1	Valeriy Babych	2,638
2	Leonid Kravchuk	51,911
3	Leonid Kuchma	2,686
4	Volodymyr Lanoviy	4,470
5	Oleksander Moroz	2,494
6	Ivan Pliushch	20,909
7	Petro Talanchuk	6,343



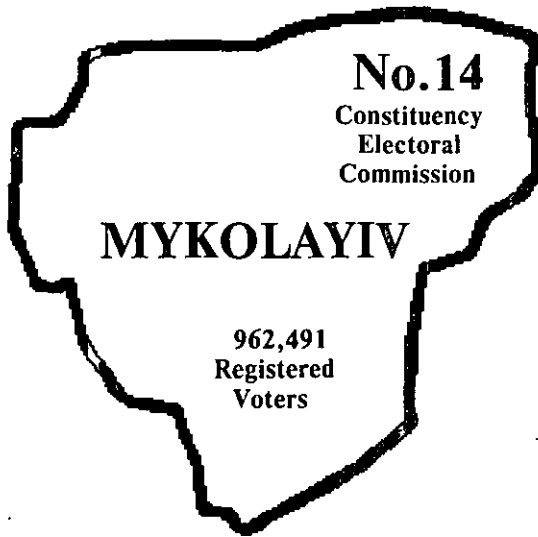
* collected signatures



International Foundation for Electoral Systems
Міжнародна Фундація Виборчих Систем

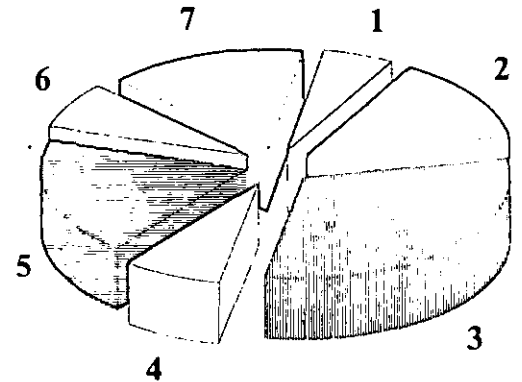
Institutska 27/6, Suite 5, 2nd fl., Kiev, Ukraine • Phone (044) 293-6000 • Fax (044) 293-8029

**TOTAL NUMBER OF SIGNATURES
 COLLECTED BY PRESIDENTIAL CANDIDATES
 IN
 CONSTITUENCY No. 14**

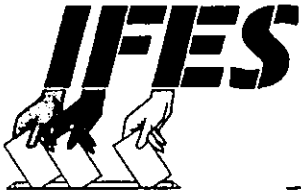


Constituency Electoral Commission No.14		
pl. Lenina, 1 327009, Mykolayiv Tel: 8-(0512) 35-2206, 35-0130		
TITLE	NAME	TEL No.
Chairman	Heorhiy Romanovskiy	35-0130
Deputy Chairman	Anatoliy Kravchenko	35-0130
Secretary	Lidiya Veretennikova	35-0130

No.	CANDIDATE	CS*
1	<i>Valeriy Babych</i>	1,624
2	<i>Leonid Kravchuk</i>	4,011
3	<i>Leonid Kuchma</i>	8,927
4	<i>Volodymyr Lanoviy</i>	2,250
5	<i>Oleksander Moroz</i>	5,484
6	<i>Ivan Pliushch</i>	2,185
7	<i>Petro Talanchuk</i>	4,477



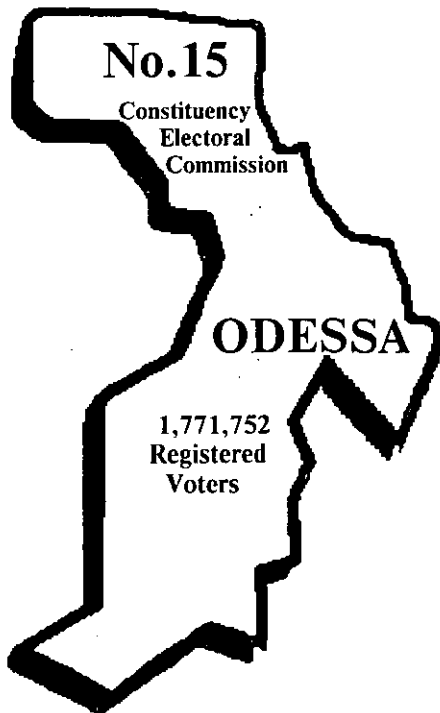
* collected signatures



International Foundation for Electoral Systems
Міжнародна Фундація Виборчих Систем

Institutska 27/6, Suite 5, 2nd fl., Kiev, Ukraine • Phone (044) 293-6000 • Fax (044) 293-8029

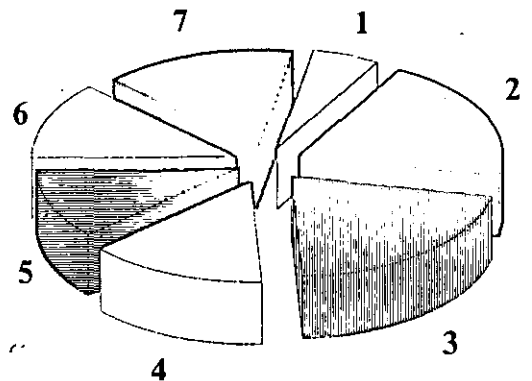
**TOTAL NUMBER OF SIGNATURES
 COLLECTED BY PRESIDENTIAL CANDIDATES
 IN
 CONSTITUENCY No. 15**

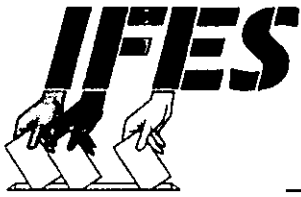


Constituency Electoral Commission No.15		
Sverdlova, 83 270107, Odessa Tel: 8-(0482) 22-5340		
TITLE	NAME	TEL No.
Chairman	Volodymyr Kiseliov	22-5340
Deputy Chairman	Nadiya Zhugustrian	22-5340
Secretary	Svitlana Anashenkova	22-5340

No.	CANDIDATE	CS*
1	Valeriy Babych	2,691
2	Leonid Kravchuk	10,114
3	Leonid Kuchma	10,273
4	Volodymyr Lanoviy	7,000
5	Oleksander Moroz	5,672
6	Ivan Pliushch	6,182
7	Petro Talanchuk	7,636

* collected signatures

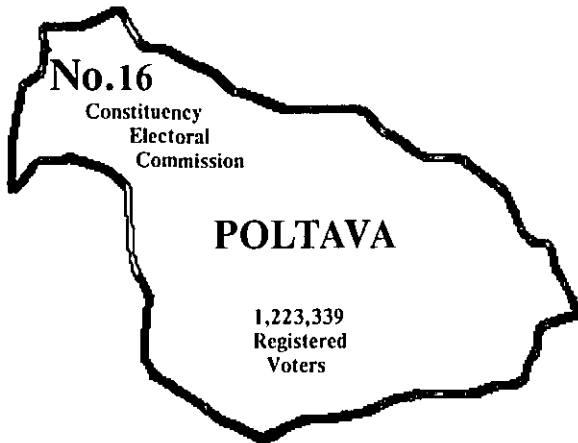




International Foundation for Electoral Systems
Міжнародна Фундація Виборчих Систем

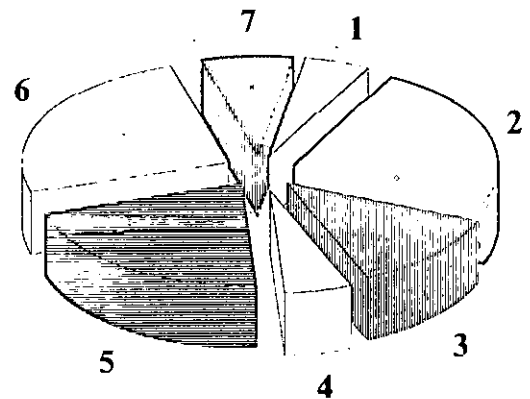
Institutska 27/6, Suite 5, 2nd fl., Kiev, Ukraine • Phone (044) 293-6000 • Fax (044) 293-8029

**TOTAL NUMBER OF SIGNATURES
 COLLECTED BY PRESIDENTIAL CANDIDATES
 IN
 CONSTITUENCY No. 16**

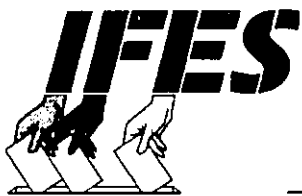


Constituency Electoral Commission No.16		
Zhovtneva str., 45 314000, Poltava		
Tel: 8-(05322) 2-2671		
Fax: 8-(05322) 2-5955		
TITLE	NAME	TEL No.
Chairman	Victor Borysiuk	3-9460
Deputy Chairman	Mykola Polishchuk	2-1603
Secretary	Anatoliy Neyizhko	2-2671

No.	CANDIDATE	CS*
1	<i>Valeriy Babych</i>	1,566
2	<i>Leonid Kravchuk</i>	7,267
3	<i>Leonid Kuchma</i>	3,926
4	<i>Volodymyr Lanoviy</i>	1,567
5	<i>Oleksander Moroz</i>	6,650
6	<i>Ivan Plushch</i>	7,887
7	<i>Petro Talanchuk</i>	2,179



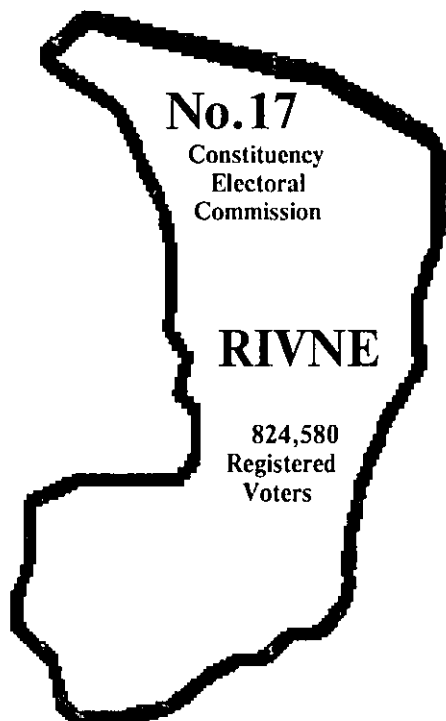
* collected signatures



International Foundation for Electoral Systems
Міжнародна Фундація Виборчих Систем

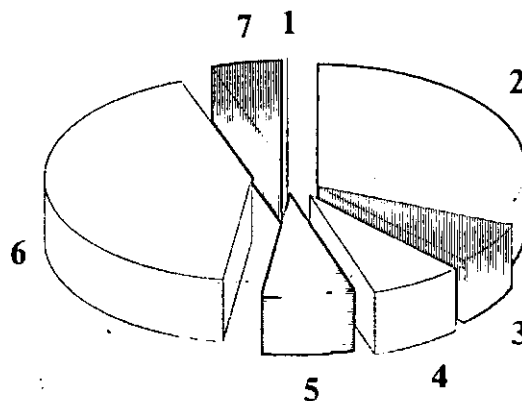
Institutska 27/6, Suite 5, 2nd fl., Kiev, Ukraine • Phone (044) 293-6000 • Fax (044) 293-8029

TOTAL NUMBER OF SIGNATURES
COLLECTED BY PRESIDENTIAL CANDIDATES
IN
CONSTITUENCY No. 17

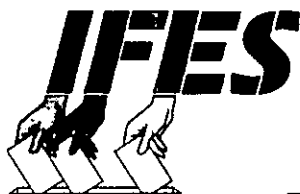


Constituency Electoral Commission No.17		
pl. Radianska, 1 266000, Rivne Tel: 8-(0362) 2-3333		
TITLE	NAME	TEL No.
Chairman	Vilgelm Nekitsha	2-3333
Deputy Chairman	Mykhailo Pshenichniy	2-3333
Secretary	Valentyna Lysak	2-3333

No.	CANDIDATE	CS*
1	Valeriy Babych	0
2	Leonid Kravchuk	13,956
3	Leonid Kuchma	2,916
4	Volodymyr Lanoviy	3,260
5	Oleksander Moroz	3,180
6	Ivan Pliushch	18,787
7	Petro Talanchuk	2,403



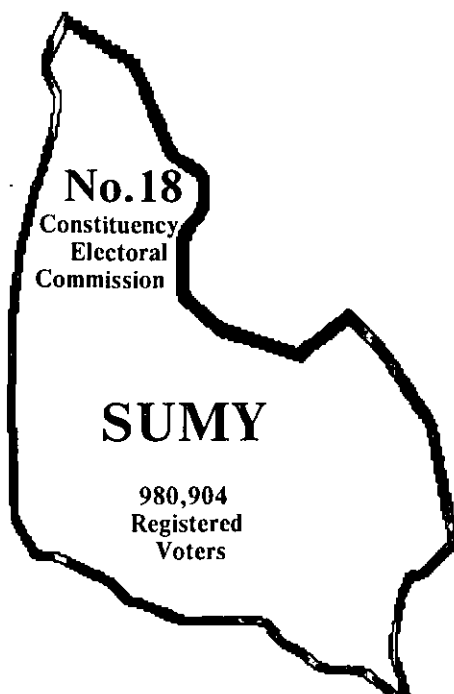
* collected signatures



International Foundation for Electoral Systems
Міжнародна Фундація Виборчих Систем

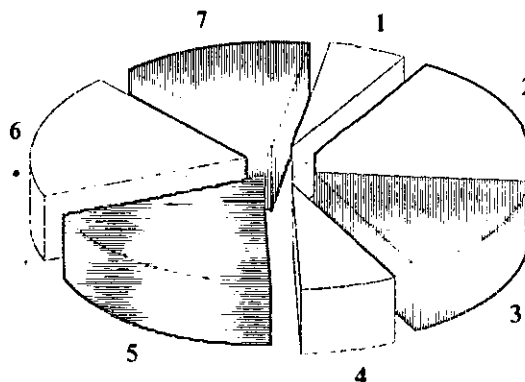
Institutska 27/6, Suite 5, 2nd fl., Kiev, Ukraine • Phone (044) 293-6000 • Fax (044) 293-8029

**TOTAL NUMBER OF SIGNATURES
 COLLECTED BY PRESIDENTIAL CANDIDATES
 IN
 CONSTITUENCY No. 18**

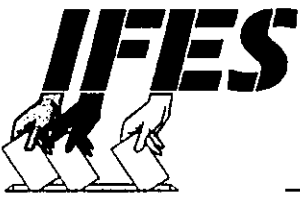


Constituency Electoral Commission No.18		
pl. Nezalezhnosti, 2 244030, Sumy Tel: 8-(0542) 22-7114		
TITLE	NAME	TEL No.
Chairman	Vasyl Hayoviy	22-7114
Deputy Chairman	Oleksandra Volina	28-0204
Secretary	Tetiana Poliakova	28-0204

No.	CANDIDATE	CS*
1	<i>Valeriy Babych</i>	2,164
2	<i>Leonid Kravchuk</i>	6,252
3	<i>Leonid Kuchma</i>	5,694
4	<i>Volodymyr Lanoviy</i>	2,564
5	<i>Oleksander Moroz</i>	6,988
6	<i>Ivan Pliushch</i>	6,793
7	<i>Petro Talanchuk</i>	5,075



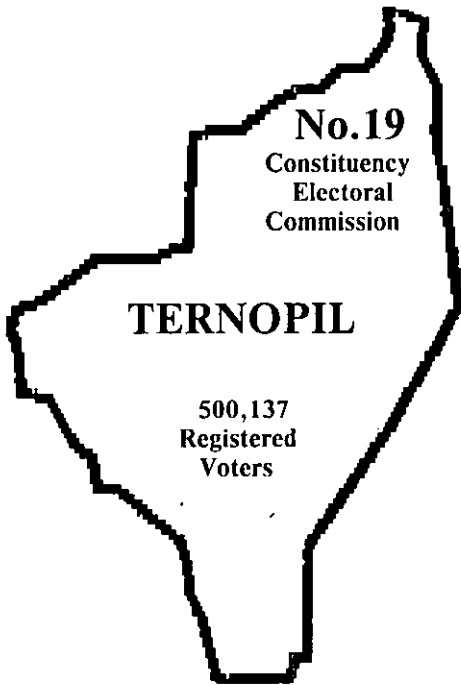
* collected signatures



International Foundation for Electoral Systems
Міжнародна Фундація Виборчих Систем

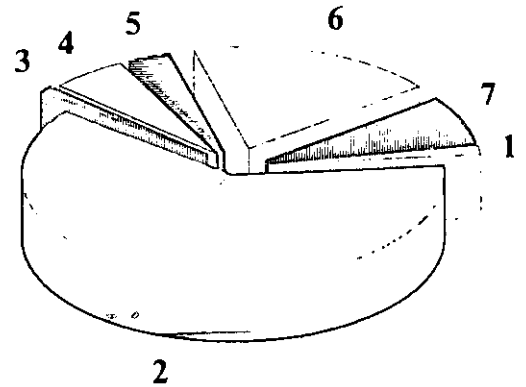
Institutska 27/6, Suite 5, 2nd fl., Kiev, Ukraine • Phone (044) 293-6000 • Fax (044) 293-8029

**TOTAL NUMBER OF SIGNATURES
 COLLECTED BY PRESIDENTIAL CANDIDATES
 IN
 CONSTITUENCY No. 19**

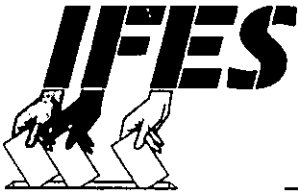


Constituency Electoral Commission No.19		
Hrushevskoho, 8 282021, Ternopil Tel: 8-(03522) 2-7580		
TITLE	NAME	TEL No.
Chairman	Vasil Kiryk	2-6292
Deputy Chairman	Oleh Ternopilskiy	
Secretary	Oleksiy Datsko	2-7580

No.	CANDIDATE	CS*
1	Valeriy Babych	787
2	Leonid Kravchuk	32,398
3	Leonid Kuchma	577
4	Volodymyr Lanoviy	3,133
5	Oleksander Moroz	1,703
6	Ivan Pliushch	9,867
7	Petro Talanchuk	3,901



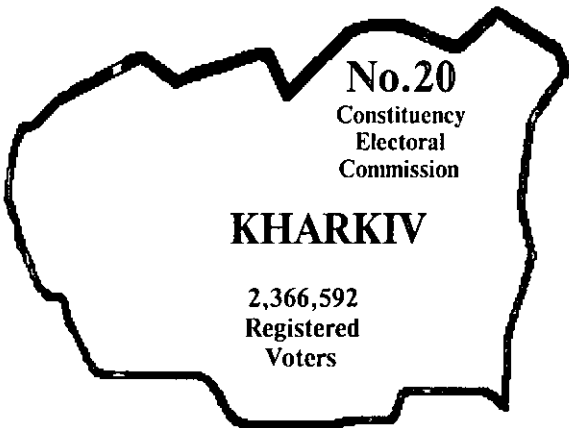
* collected signatures



International Foundation for Electoral Systems
Міжнародна Фундація Виборчих Систем

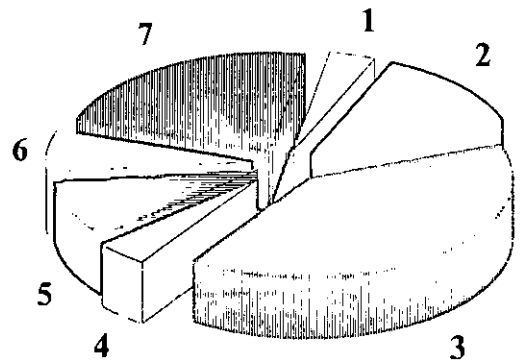
Institutska 27/6, Suite 5, 2nd fl., Kiev, Ukraine • Phone (044) 293-6000 • Fax (044) 293-8029

**TOTAL NUMBER OF SIGNATURES
 COLLECTED BY PRESIDENTIAL CANDIDATES
 IN
 CONSTITUENCY No. 20**

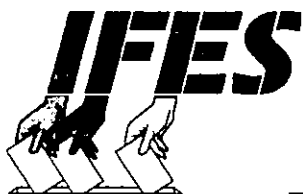


Constituency Electoral Commission No.20		
Sumska, 64 310002, Kharkiv Tel: 8-(0572) 43-3029		
TITLE	NAME	TEL No.
Chairman	Mykola Panov	43-3029
Deputy Chairman	Vitaliy Kalnoochenkov	43-3029
Secretary	Tetiana Druzhchenko	43-3029

No.	CANDIDATE	CS*
1	<i>Valeriy Babych</i>	3,254
2	<i>Leonid Kravchuk</i>	10,993
3	<i>Leonid Kuchma</i>	33,747
4	<i>Volodymyr Lanoviy</i>	3,584
5	<i>Oleksander Moroz</i>	8,033
6	<i>Ivan Pliushch</i>	5,958
7	<i>Petro Talanchuk</i>	18,859



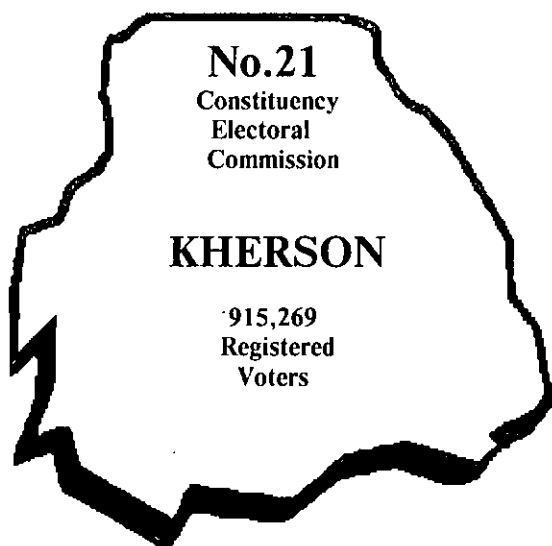
* collected signatures



International Foundation for Electoral Systems
Міжнародна Фундація Виборчих Систем

Institutska 27/6, Suite 5, 2nd fl., Kiev, Ukraine • Phone (044) 293-6000 • Fax (044) 293-8029

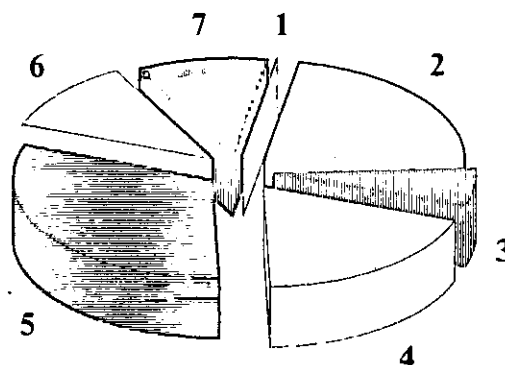
TOTAL NUMBER OF SIGNATURES
COLLECTED BY PRESIDENTIAL CANDIDATES
IN
CONSTITUENCY No. 21



Constituency Electoral Commission No.21		
ploscha Svobody, 1 325023, Kherson Tel: 8-(0552) 6-6695		
TITLE	NAME	TEL No.
Chairman	Oleksander Bereshchenko	6-6695
Deputy Chairman	Volodymyr Hadas	6-6695
Secretary	Halina Serheyeva	6-6695

No.	CANDIDATE	CS*
1	Valeriy Babych	65
2	Leonid Kravchuk	5,260
3	Leonid Kuchma	1,504
4	Volodymyr Lanoviy	4,736
5	Oleksander Moroz	7,728
6	Ivan Pliushch	2,925
7	Petro Talanchuk	2,547

* collected signatures

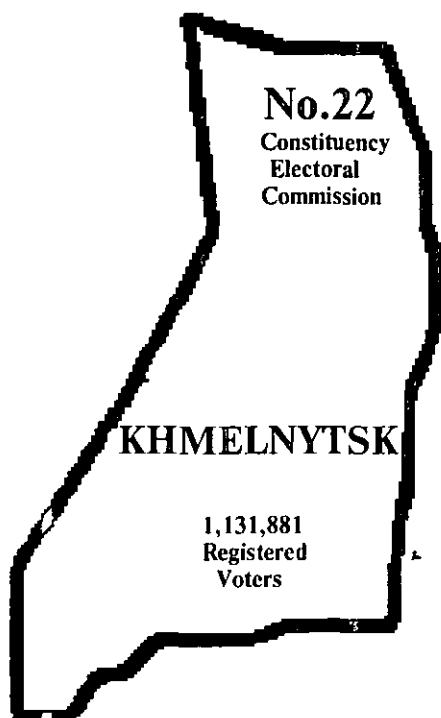




International Foundation for Electoral Systems
Міжнародна Фундація Виборчих Систем

Institutska 27/6, Suite 5, 2nd fl., Kiev, Ukraine • Phone (044) 293-6000 • Fax (044) 293-8029

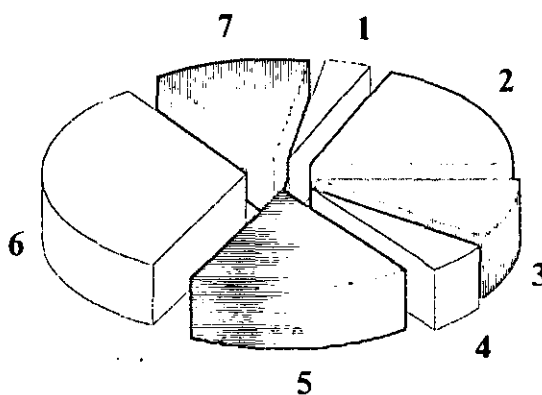
**TOTAL NUMBER OF SIGNATURES
 COLLECTED BY PRESIDENTIAL CANDIDATES
 IN
 CONSTITUENCY No. 22**

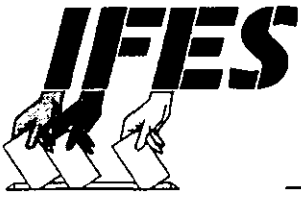


Constituency Electoral Commission No.22		
maidan Nezalezhnosti, 1 280005, Khmelnytsk Tel: 8-(03822) 6-5591 Fax: 8-(03822) 5-1165		
TITLE	NAME	TEL No.
Chairman	Oleksiy Levanchuk	6-5749
Deputy Chairman	Mykola Zaitsev	6-5591
Secretary	Irina Toshcheva	6-5591

No.	CANDIDATE	CS*
1	Valeriy Babych	1,547
2	Leonid Kravchuk	7,960
3	Leonid Kuchma	4,111
4	Volodymyr Lanoviy	2,127
5	Oleksander Moroz	7,452
6	Ivan Plushch	13,958
7	Petro Talanchuk	5,229

* collected signatures

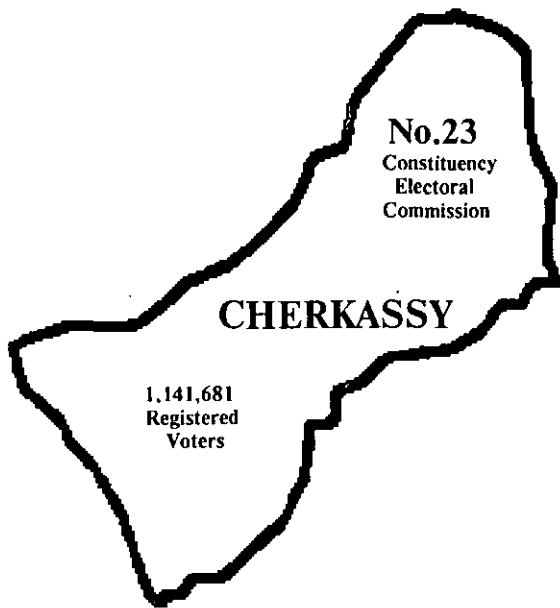




International Foundation for Electoral Systems
Міжнародна Фундація Виборчих Систем

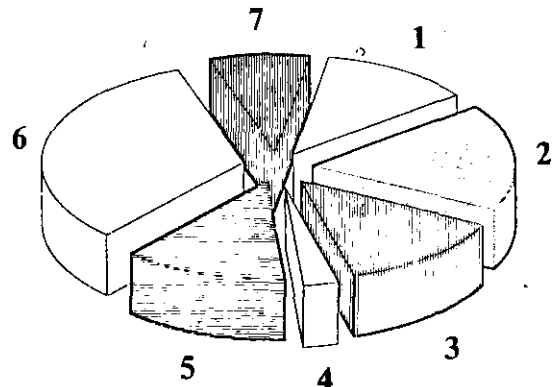
Institutska 27/6, Suite 5, 2nd fl., Kiev, Ukraine • Phone (044) 293-6000 • Fax (044) 293-8029

TOTAL NUMBER OF SIGNATURES
COLLECTED BY PRESIDENTIAL CANDIDATES
IN
CONSTITUENCY No. 23

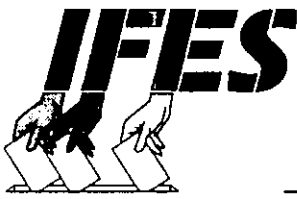


Constituency Electoral Commission No.23		
bulvar Shevchenka, 185 257001, Cherkassy Tel: 8-(0472) 47-6509		
TITLE	NAME	TEL No.
Chairman	Oleksiy Buriy	47-6509
Deputy Chairman	Zinayida Dolmatova	
Secretary	Nina Popova	47-6509

No.	CANDIDATE	CS*
1	Valeriy Babych	3,967
2	Leonid Kravchuk	5,923
3	Leonid Kuchma	4,425
4	Volodymyr Lanoviy	869
5	Oleksander Moroz	4,378
6	Ivan Pliushch	10,846
7	Petro Talanchuk	2,653



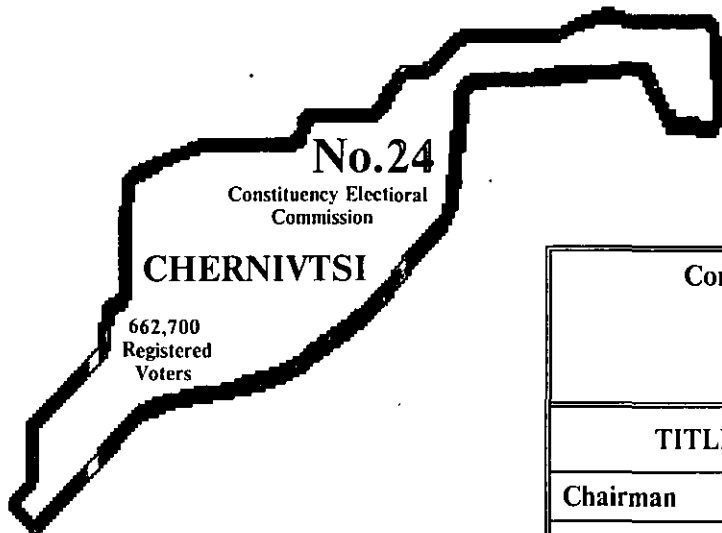
* collected signatures



International Foundation for Electoral Systems
Міжнародна Фундація Виборчих Систем

Institutska 27/6, Suite 5, 2nd fl., Kiev, Ukraine • Phone (044) 293-6000 • Fax (044) 293-8029

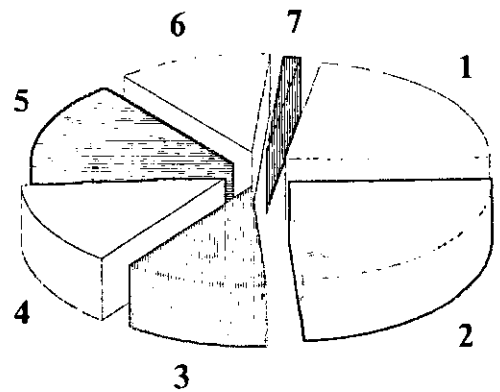
TOTAL NUMBER OF SIGNATURES
COLLECTED BY PRESIDENTIAL CANDIDATES
IN
CONSTITUENCY No. 24

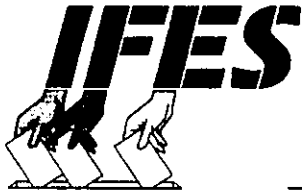


Constituency Electoral Commission No.24		
Radianska str., 1 274010, Chernivtsi Tel: 8-(03722) 5-3998		
TITLE	NAME	TEL No.
Chairman	Oleh Stetsevytch	5-1575
Deputy Chairman	Victor Davidovitch	2-2509
Secretary	Stepan Kravetskiy	5-2729

* collected signatures

No.	CANDIDATE	CS*
1	Valeriy Babych	4,568
2	Leonid Kravchuk	4,961
3	Leonid Kuchma	2,370
4	Volodymyr Lanoviy	2,784
5	Oleksander Moroz	3,137
6	Ivan Pliushch	2,536
7	Petro Talanchuk	257

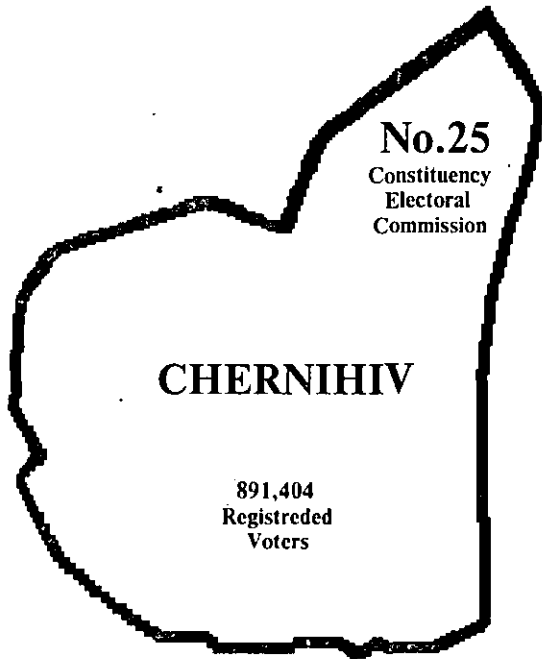




International Foundation for Electoral Systems
Міжнародна Фундація Виборчих Систем

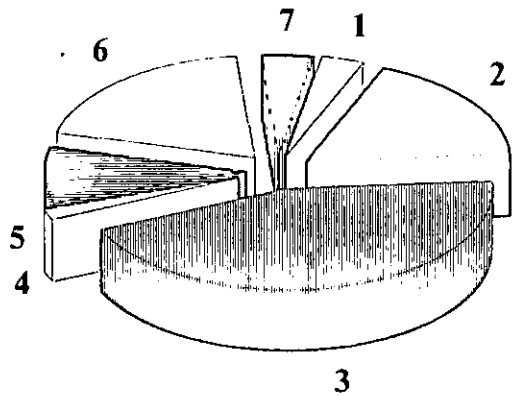
Institutska 27/6, Suite 5, 2nd fl., Kiev, Ukraine • Phone (044) 293-6000 • Fax (044) 293-8029

**TOTAL NUMBER OF SIGNATURES
 COLLECTED BY PRESIDENTIAL CANDIDATES
 IN
 CONSTITUENCY No. 25**



Constituency Electoral Commission No.25		
Lenina str., 43 250025, Chernihiv Tel: 8-(04622) 7-2049		
TITLE	NAME	TEL No.
Chairman	Anatoliy Zhovtoplias	7-4465
Deputy Chairman	Oleksandra Bohomaz	7-2049
Secretary	Yevhen Tyshchenko	7-4478

No.	CANDIDATE	CS*
1	Valeriy Babych	1,687
2	Leonid Kravchuk	8,293
3	Leonid Kuchma	20,911
4	Volodymyr Lanoviy	793
5	Oleksander Moroz	4,223
6	Ivan Pliushch	9,256
7	Petro Talanchuk	1,888



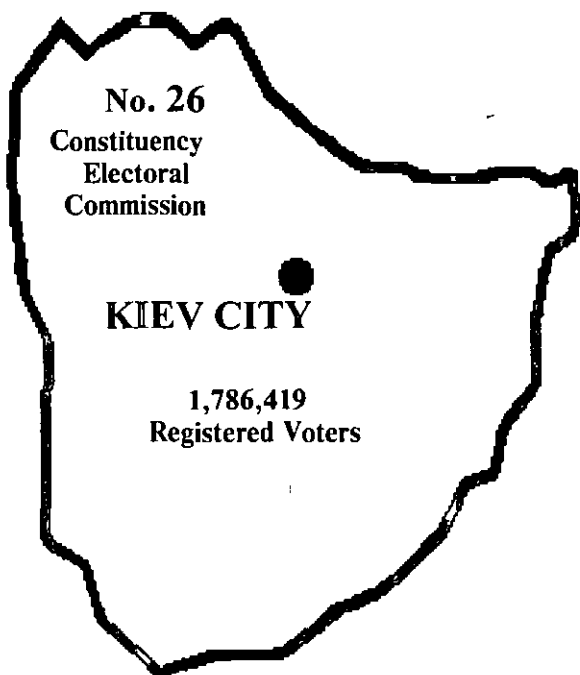
* collected signatures



International Foundation for Electoral Systems
Міжнародна Фундація Виборчих Систем

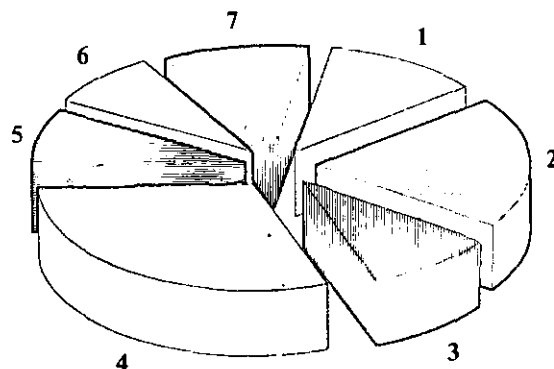
Institutska 27/6, Suite 5, 2nd fl., Kiev, Ukraine • Phone (044) 293-6000 • Fax (044) 293-8029

**TOTAL NUMBER OF SIGNATURES
 COLLECTED BY PRESIDENTIAL CANDIDATES
 IN
 CONSTITUENCY No. 26**



Constituency Electoral Commission No.26		
Mykhailivska, 1 252018, Kiev Tel: (044) 212-8238		
TITLE	NAME	TEL No.
Chairman	Mykhailo Tereshchenko	228-9315
Deputy Chairman	Hanna Solianik	212-8238
Secretary	Halina Solianik	212-8238

No.	CANDIDATE	CS*
1	Valeriy Babych	17,001
2	Leonid Kravchuk	29,024
3	Leonid Kuchma	13,797
4	Volodymyr Lanoviy	42,682
5	Oleksander Moroz	13,442
6	Ivan Pliushch	11,895
7	Petro Talanchuk	15,662



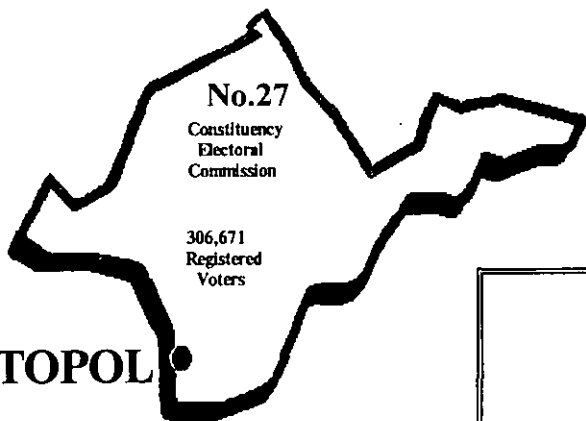
* collected signatures



International Foundation for Electoral Systems
Міжнародна Фундація Виборчих Систем

Institutska 27/6, Suite 5, 2nd fl., Kiev, Ukraine • Phone (044) 293-6000 • Fax (044) 293-8029

**TOTAL NUMBER OF SIGNATURES
 COLLECTED BY PRESIDENTIAL CANDIDATES
 IN
 CONSTITUENCY No. 27**

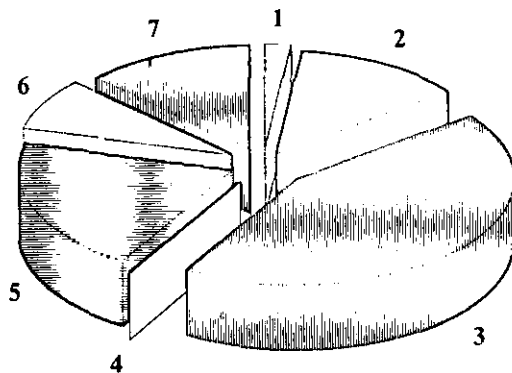


SEVASTOPOL

Constituency Electoral Commission No.27		
Lenina str., 3 335000, Sevastopol Tel: 8-(0692) 44-4689		
TITLE	NAME	TEL No.
Chairman	Volodymyr Deriabkin	36-7270
Deputy Chairman	Yuriy Prihodko	24-3084
Secretary	Halyna Byzenkova	52-54-77

No.	CANDIDATE	CS*
1	Valeriy Babych	155
2	Leonid Kravchuk	990
3	Leonid Kuchma	3,355
4	Volodymyr Lanoviy	0
5	Oleksander Moroz	1,587
6	Ivan Pliushch	626
7	Petro Talanchuk	964

* collected signatures



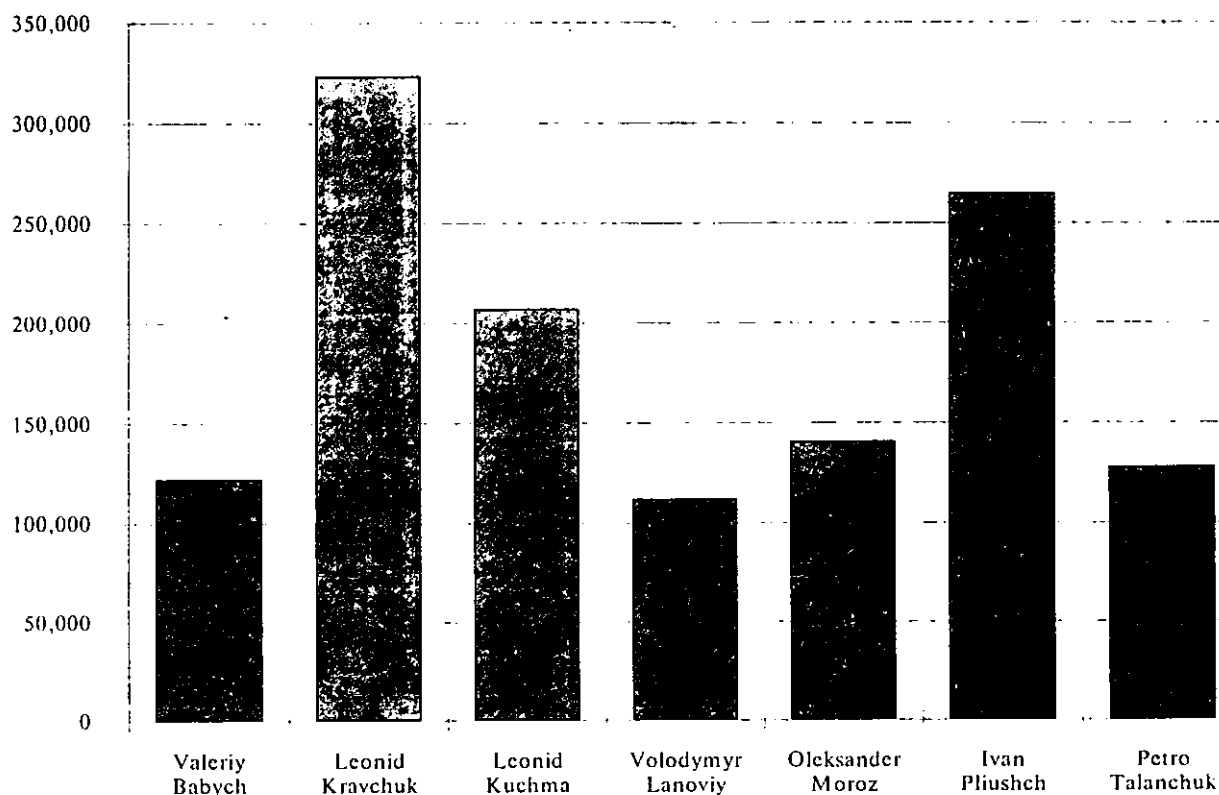


International Foundation for Electoral Systems
Міжнародна Фундація Виборчих Систем

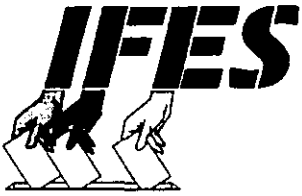
Institutska 27/6, Suite 5, 2nd fl., Kiev, Ukraine • Phone (044) 293-6000 • Fax (044) 293-8029

**TOTAL NUMBER OF SIGNATURES
 COLLECTED BY PRESIDENTIAL CANDIDATES**

NAME	COLLECTED SIGNATURES	INVALID SIGNATURES
Valeriy Babych	122,452	758
Leonid Kravchuk	323,662	6,362
Leonid Kuchma	207,665	2,957
Volodymyr Lanoviy	112,323	575
Oleksandr Moroz	141,097	566
Ivan Pliushch	265,047	1,709
Petro Talanchuk	128,249	1,184



NAME	A NUMBER OF CONSTITUENCY IN WHICH MORE THEN 1,500 SIGNATURES WERE COLLECTED
Valeriy Babych	20
Leonid Kravchuk	26
Leonid Kuchma	24
Volodymyr Lanoviy	22
Oleksandr Moroz	25
Ivan Pliushch	26
Petro Talanchuk	23



**AMENDMENTS TO
THE ELECTION LAW OF UKRAINE
ON THE ELECTION OF
THE PRESIDENT OF UKRAINE**

CHAPTER 1

Article 1. *The main principles and guidelines for the elections for president.*

1. The presidential elections are to be held based upon the principles of general, equal and direct suffrage by secret balloting.
2. The electoral process is conducted on the following principles: equal and free nomination opportunities for all candidates; publicity and openness; equal campaign opportunities for all candidates; equal treatment of all candidates by state bodies, institutions, organizations, institutions and bodies of local self-government; the freedom of campaigning.

Article 2. *General franchise.*

1. The presidential elections shall be universal. All citizens of Ukraine aged eighteen or above on election day have the right to vote.
2. For a Ukrainian citizen to be elected president, he must be no younger than 35 on election day, have the right to vote, have lived in the country no less than 10 years (including the last 5 years) and know the state language. One and the same person can be elected president for no more than two terms of office.
3. Any preferential treatment of or discrimination against Ukrainian citizens in the electoral process based on their ethnic origin, social and property status, religious attitudes, political convictions and occupation unprovided for by the law is prohibited.
4. Citizens found incompetent by the Courts may be deprived of the right to vote. Suffrage may be suspended for a certain period for persons serving prison sentences or under compulsory medical treatment.

Article 3. *Equal franchise.*

The Ukrainian presidential elections are held on a one-person-one-vote basis: every voter has one vote.

Article 4. *Direct franchise. Secret balloting.*

1. The president of Ukraine is elected directly by voters.
2. The balloting for elections for president is secret: any control over individual balloting is prohibited.

Article 5. *The right to nominate nominees for president.*

1. The right to nominate nominees belongs to those citizens who have the right to vote. This right is realized through political parties and electoral blocs registered in accordance with the relevant laws on citizen associations as well as through voter meetings as set forth in this law.
2. A political party (election bloc) or a voter meeting may nominate only one nominee for president.

Article 6. *Organization and conduct of the Ukrainian elections for president by election commissions.*

The Central Election Commission for Parliamentary Elections (the CEC), constituency election commissions and polling station commissions organize and conduct the Ukrainian presidential elections.

Article 7. *Publicity and openness of the Ukrainian elections for president.*

1. The Ukrainian elections for president are to be prepared and conducted publicly and openly.
2. The mass media must inform citizens of decisions by state and other competent authorities regarding the elections for president within 5 days after their adoption.
3. Election commissions shall inform citizens of their membership, location and working hours, of the formation of constituencies and polling stations, make available voter lists, biographical data on presidential candidates, their election programs or those of the parties that nominated them, the form and procedure for filling out the signature-collection sheets and ballots; notify citizens of the balloting and general election results and provide other information as provided for by this law.

4. Election commissions work mainly in meetings. Representatives of presidential candidates or persons authorized by them, one representative from each party (election bloc) which nominated presidential candidates and non-partisan voter committees set up to monitor the election campaign, as well as international observers from foreign states and international organizations have the right to attend such meetings and they shall adhere to the requirements of this law.
5. The mass media shall publicize the preparation and conduct of the Ukrainian presidential elections. Its representatives are guaranteed unrestricted access to all election-related meetings and gatherings. Election commissions, state bodies and bodies of local self-government shall provide them with information on the preparation and conduct of the elections.

Article 8. *Legislation on the Ukrainian elections for president.*

The organization and conduct of the elections for president is regulated by the Constitution of Ukraine, this law and other relevant legislative acts.

CHAPTER 2. HOW TO SCHEDULE THE ELECTIONS

Article 9. *Types of elections and how they are scheduled.*

1. Elections for president may be regular, pre-term and repeat elections.
2. The Verhovna Rada of Ukraine determines the date of elections for president.

Article 10. *How to set a date for the elections for president.*

1. Regular elections for president are to be scheduled no later than six months before the incumbent president's term in office expires and no later than four months before the date of the elections.
2. Pre-term elections for president are to be scheduled by the Verhovna Rada no later than four months prior to the date of the presidential elections.
3. Repeat elections are scheduled within the time limits set in this law.
4. Elections are to be scheduled for Sunday or other non-working day as provided for by relevant law. The Verhovna Rada announces the election date via mass media.

CHAPTER 3. HOW TO ORGANIZE THE ELECTIONS FOR PRESIDENT

Article 11. *Constituencies for the elections for president.*

1. The CEC creates 27 constituencies for the purpose of holding the elections for president (one in the Republic of Crimea, one in each oblast of Ukraine and in the cities of Kiev and Sevastopol).
2. The list of constituencies, containing their designations, numbers, and constituency centers shall be published by the CEC in the press and announced in other mass media no later than 100 days before election day.

Article 12. *How to form constituencies.*

1. Constituencies are divided into polling stations for the purpose of voting and tabulating votes for the elections for president.
2. Polling stations are formed by constituency commissions upon submission from local (district, city) executive bodies or executive bodies of local self-government. For vessels at sea on election day, polling stations are formed by the above-referenced bodies having jurisdiction over the port where the vessel is registered.
3. Polling stations at Ukrainian missions abroad are formed on submissions by the Foreign Ministry of Ukraine and their place of registration shall be determined by the Central Election Commission.
4. The polling stations shall consist of 20 to 3000 voters, although in exceptional cases the number may be smaller or greater.
5. Polling stations are formed no later than 60 days before election day and in exceptional cases, no later than 5 days before the presidential elections.
6. Constituency election commissions, no later than 5 days after the formation of polling station commissions, shall notify the electorate of the polling stations in their district, cities and city-districts, the location and composition of the polling station commissions, and the location of the voting premises.

Article 13. *The Central Election Commission (CEC).*

1. The CEC is formed according to the Law of Ukraine "On Elections of People's Deputies of Ukraine."

The CEC:

- (1) organizes the preparation and conduct of the elections for president;

- (2) controls the implementation of the election law on the elections for president over the entire territory of Ukraine and ensures its proper application;
- (3) explains the procedure for application of the election law and, if necessary, turns to the Verhovna Rada for its interpretation or amendment of the election law;
- (4) creates constituencies for the elections for president;
- (5) directs the activities of the constituency election commissions and polling station commissions;
- (6) establishes the procedure for the use of funds allocated for the elections for president and distributes them between the election commissions and the respective local councils; assists election commissions in obtaining office space, means of transportation and communication, and deals with other issues bearing on the material and technical support for the elections for president;
- (7) establishes the format of the ballots for the presidential elections, the voter lists, session protocols of the election commissions, other election documents, ballot boxes, seals of election commissions, and determines the procedure for the safekeeping of election documents;
- (8) receives reports from election commissions, ministries and official institutions, other state bodies and bodies of local self-government on issues related to the preparation and conduct of the presidential elections;
- (9) publishes the list of constituencies, information on the time limits for the election campaign and other materials connected with its activity;
- (10) registers parties and their election blocs which declare their intention to nominate a nominee for president;
- (11) registers presidential candidates; extends the time set for collecting signatures in support of nominees for presidential candidacy, submits relevant documents, resolves other issues connected with the registration of presidential candidates in those circumstances which are beyond the control of nominees and other electoral entities;
- (12) determines the general results for the presidential elections and makes them available to the public via press and other mass media;
- (13) requests the Verhovna Rada for the assignment of repeat voting;
- (14) reviews requests, appeals and complaints by citizens regarding the decisions and actions of constituency election commissions and polling station commissions (with the exception of complaints about errors in voter-lists); revokes or suspends decisions of other election commissions and makes other decisions on these issues;
- (15) discharges other functions in accordance with this law and other relevant acts of the Ukrainian legislature.

Article 14. *Constituency election commissions for the elections for president.*

1. The constituency election commissions are to be formed no later than 95 days before election day.
2. The Chairman; deputy chairman and secretary of the constituency election commission and their members are appointed by respective oblast councils, Kiev and Sevastopol city councils and the Presidium of the Supreme Council of the Republic of Crimea. The number of commission members is to be established by the body that creates it, within the range of 11 to 30 members.
3. The constituency election commission, within 5 days after its formation, publishes information on its composition and location and provides its postal address, banking accounts to which contributions towards the election fund can be credited and provides explanations regarding the rights of citizens and other legal entities to make contributions to the above-mentioned fund.
4. The constituency election commission:
 - 1) controls the implementation of the election law within its constituency;
 - 2) creates polling stations, assigns numbers to them and notifies voters thereof as established by this law;
 - 3) directs the activities of polling station commissions;
 - 4) oversees the compilation of voter lists and their presentation to the general public;
 - 5) registers initiative voter groups which nominate a nominee for president and issues them an appropriate certificate;
 - 6) ensures the printing of posters with biographical data of candidates and the planks of their programs (platforms);
 - 7) in conjunction with the appropriate council, takes part in organizing meetings of presidential candidates with voters;
 - 8) ensures the production and supply of ballots of the approved format and invitation blanks to the polling station commissions;
 - 9) determines the election results within its constituency, draws up a protocol and sends it to the CEC;
 - 10) ensures the conduct of repeat voting according to the CEC decision on repeat voting for the presidential elections as well as the conduct of repeat elections as set forth in this law;
 - 11) reviews appeals, requests and complaints about the decisions and actions of polling station commissions and resolves them;
 - 12) discharges other functions in accordance with this law and other acts of the Ukrainian legislature.

5. Parties and election blocs which nominated a nominee may appoint one representative per party or election bloc with the right to take the floor at meetings of a constituency election commission.
6. The mandate of the constituency election commission expires ten days after the CEC has published the results of the election of the President of Ukraine.

Article 15. *Polling station commissions for the elections for president.*

1. Polling station commissions for the elections for president are formed by village, town, city, city-district, councils or executive bodies no later than 45 days before election day and shall consist of a Chairman, deputy chairman, secretary and 5-11 members nominated upon submissions of the chairman of the respective Council and in consideration of the suggestions made by political parties, other citizen associations, labor collectives and voters.
2. The polling station commission:
 - A. compiles the voter list of its polling station;
 - B. makes the voter list available to the public, receives and reviews complaints about errors in the voter list and decides on introducing changes therein;
 - C. notifies the public of the election date and the place of balloting, issues invitations to the electorate, provides interested parties with information on registered presidential candidates as well as any announcements published by the CEC and the respective constituency election commission;
 - D. ensures the preparation of voting premises and the manufacture of ballot boxes;
 - E. organizes the balloting at the polling station;
 - F. counts votes cast at the polling station;
 - G. reviews requests and complaints connected with the preparation and organization of balloting and makes decisions on them;
 - H. discharges other functions in accordance with this law and other acts of the Ukrainian legislature.
3. Political parties and election blocs which nominated a candidate for President of Ukraine may appoint one representative with the right to take the floor at polling station commission meetings.
4. The mandate of the polling station commission expires ten days after the CEC has published the results of the election of the President of Ukraine.

Article 16. *Legal status of election commission members.*

1. Any citizen with the right to vote may be appointed to an election commission. Nominees for president, presidential candidates and other persons mentioned in Article 7, section 4, of this law may not be members of the election commission.
The secretary of the election commission must be fluent in the state language.
2. By the decision of the election commission, subject to approval by the respective constituency election commission or CEC, the chairman, deputy chairman, secretary and certain members of the election commission may be released for the time of the election campaign from their current employment while retaining their salary. The salary of the commission member is determined by averaging his indexed pay for the previous 3 months. The salary is paid at his main place of work with subsequent compensation to the enterprise, institution or organization from the state budget or through the bodies that created by the commission in question.
3. The chairman, deputy chairman, secretary or any commission member may be discharged from the commission upon their request or following a serious violation of the election law, by the body which appointed them.

Article 17. *How to organize the work of the election commission.*

1. The election commission works mainly in meetings. The meeting is called by the commission's chairman, and in case of his absence by the deputy chairman or upon demand by no less than half the commission members with mandatory notification of all commission members of the time and location of the meeting.
2. Meetings are conducted by the chairman or his deputy. In case neither is able to preside, the commission appoints an ad hoc chairman for a particular meeting from amongst its members.
3. The decisions made during a meeting are binding if no less than 2/3 of the members are present. Decisions are made by open majority vote. If an equal number of votes is cast on both sides, the chairman's vote is deciding. The decisions of the election commission must be based upon and contain references to specific articles or sections in relevant acts of the legislature and the circumstances of the case. Commission members who disagree with the decision made may express their individual opinion in writing, this to be appended to the minutes of the session.
4. The commission may decide to deprive the persons mentioned in Article 7, section 4, of this law of the right of participation in a meeting, if they obstruct the work of the meeting.
5. The commission's decisions, if made within its authority, are binding for all electoral entities and bodies which ensure the conduct of elections.
6. State bodies, bodies of local self-government as well as state enterprises, institutions and organizations are to assist election commissions in discharging their functions.

Article 18. *Appeal of decisions and actions of election commissions.*

1. Decisions and actions of constituency election commissions or polling station commissions may be appealed by nominees for president, presidential candidates, their campaign agents or persons authorized by them, parties, election blocs as well as persons authorized by voter meetings which nominated a nominee for president and voters, in an appeal to a higher level election commission within ten days after such a decision or action, if not otherwise foreseen in this law.
2. Complaints about a polling station commission's refusal to correct errors in the voter list upon request are filed with the court having jurisdiction over the area where the commission is located. A decision on the case is to be made within three days.
3. Decisions and actions of the CEC may be appealed in cases provided for in this law in an appeal to the Supreme Court of Ukraine, which is to make a decision within 7 days.
4. Decisions of the courts are final.

Article 19. *Voter lists.*

1. The procedure for compilation of the voter lists, inclusion of citizens' names therein, as well as the procedure for introducing changes to the lists are determined according to Articles 20, 21, and 22 of the Law of Ukraine "On Elections of People's Deputies of Ukraine".

Article 20. *Financial and material provision for the elections for president.*

1. Expenses associated with the preparation and conduct of the presidential elections are paid from the single centralized fund for presidential elections created by the CEC. This money is part of the state budget. The size of this fund is approved by the Presidium of the Verhovna Rada.
2. The Cabinet of Ministries of Ukraine ensures the financial and material provisions for the presidential elections.
3. Ukrainian citizens, their associations, legal entities registered in Ukraine with the exception of enterprises with foreign investments, as well as state bodies, enterprises, institutions and organizations supported from the state budget, may make contributions to the centralized fund for the presidential elections.
4. In addition to state financing, a presidential candidate may use money from his personal election fund, set up for the purpose of financing his election campaign in keeping with the procedures envisioned in this Law.

CHAPTER 4. NOMINATION AND REGISTRATION OF PRESIDENTIAL CANDIDATES

Article 21. *Registration of political parties (election blocs) for the elections for president.*

1. Political parties (election blocs), which number no less than 1000 members, have the right to nominate a nominee for president after their registration with the CEC as participants in the presidential elections.
2. The CEC registers political parties within a week after the submission of an application by the political party's governing body signed by its authorized person. A registration certificate issued by the Ministry of Justice, as well as a document certifying the number of party members at the moment of submission, are to be attached to the application.
3. An election bloc may be formed by a group of political parties by a decision of their governing bodies as stated in Article 22 of this law. An agreement on formation of an interpartisan election bloc for the presidential elections signed by the contracting parties' authorized persons, as well as the registration certificate of those political parties issued by the Ministry of Justice confirming the number of party members at the moment of registration is to be appended to the application on behalf of the bloc signed by the leaders of the above-referenced political parties. The application constitutes grounds for registration of the said election bloc within a week's time.
4. A decision of the CEC refusing registration to a political party (election bloc) may be protested by this party's (election bloc's) authorized representative in an appeal to the Supreme Court of Ukraine within ten days after the decision has been made.

Article 22. *The procedure for nomination of a presidential candidate by a party or election bloc.*

1. Nomination of nominees for president begins ninety days before election day and ends sixty days prior to election day.
2. The nominee is nominated at a political party congress, conference, general meeting or any other gathering which is the political party's highest governing body according to its statute.

The procedure for holding a congress (conference, general meeting) is set forth in the political party's statute.

3. An election bloc nominates a candidate at an interparty conference attended by elected delegates from the said parties according to the standards of representation determined in the agreement on formation of the election bloc.
4. The conference may nominate a candidate if there are more than 2/3 of the elected delegates, but no less than 200 persons, in attendance.



5. Having nominated a candidate, a political party (election bloc) files a declaration with the CEC indicating the candidate's full name, date of birth, occupation, position, place of work, residence, confirmation of his residence in Ukraine for 10 years, including the last five years, his political party membership as well as the full name, address and the phone number of the party's (election bloc's) authorized persons.

Attached to the declaration are:

- A. an extract from the minutes of the decision of the executive body of the political party (election bloc) on nominating a nominee;
 - B. the nominee's statement confirming his agreement to run for presidency.
6. The CEC issues the political party's (election bloc's) authorized person with a certificate confirming receipt of the declaration no later than 2 days after its submission bearing the date and time of submission.

Article 23. *Voter meetings.*

1. A voter meeting, within the time limits set forth in Article 33, section 1, of this law, if attended by no less than 500 citizens of Ukraine with the right to vote, may nominate a nominee for president. A voter meeting may be held at one's place of residence, at enterprises, institutions, organizations.

Those initiating the meeting must notify the constituency election commission and the executive body of local self-government no less than 3 days before it is to take place. The constituency election commission may send its representative to ensure that the meeting is conducted in a lawful manner.

2. At the start of the meeting a list of participants, including their full names, dates of birth and addresses is to be drawn up. Every participant signs against his name. Minutes of the meeting are to be kept, this including information on the compilation of the list of participants at the meeting and their number, election of the presidium and its membership. The list of the participants at the meeting is to be appended to the minutes.

One and the same person may not participate in more than one voter meeting nominating a presidential nominee.

3. By the meeting's decision to be adopted by majority vote, one initiative group of voters numbering from 10 to 25 participants is to be approved. Its individual membership is to be noted in the minutes of the meeting.

Article 24. *The procedure for nominating presidential nominees by voter meetings.*

1. Voters may discuss one of several nominees for nomination at voter meetings. Every participant may propose any nominee, including himself. For a nominee to be nominated at a voter meeting, no less than 2/3 of participants must vote in favor thereof.
2. The voter group files an application for registration of the nominee and application for registration of the voter group with the constituency election commission.

In the application for registration, the data on the nominee required by Article 22, section 5, of this law is to be stated.

To be appended to the application are:

- A. minutes of the meeting that nominated the nominee;
- B. the list of participants at the meeting;
- C. the nominee's statement confirming his agreement to run for president.

In the application for registration by the voter group the full name, address, and phone number of its authorized person is to be noted.

3. The constituency election commission issues the authorized person of the voter group with a certificate confirming receipt of the application for registration of the nominee. No later than on the fifth day after the application has been received, the constituency election commission draws up a protocol certifying conformity of the submitted documents with the law and makes a decision on registration of the voter group. The said protocol, together with other requisite documents, is immediately sent to the CEC, which makes a decision on registering the nominee. A copy of the protocol and a decision on registration of the voter group are handed over to the authorized person of the voter group.

A decision refusing registration to the voter group may be appealed by its authorized person in an appeal to the court having jurisdiction over the territory in which the constituency election commission is located.

4. The Central Election Commission reviews the minutes of the constituency election commission together with the submitted documents for registration of the nominee nominated by the voter meeting and makes a decision on registration of the nominee or refusal thereof no later than within a week's time after receipt of the protocol.
5. In the event one and the same person has been nominated by more than one voter meeting, the CEC registers the said nominee based on the minutes of the constituency election commission which arrived first. At the same time the CEC registers the voter group mentioned in those minutes as having nominated the nominee. In the case of duplicate nomination, the minutes and materials from the voters meetings for the nomination of the said contender are reviewed by the commission and then appended to the decision on registration. The decision will contain a listing of all the meetings that nominated the nominee. The voter groups indicated in the above-referenced

minutes may form support groups of a given nominee from among their members.

Article 25. *Registration of a nominee for candidate for president.*

1. The nominee must conform to the requirements set forth in Article 2 of this Law.
2. The CEC decides on registration of the nominee within a week's time after the registration application has been submitted by the authorized person of the party (election bloc) or the protocol of the constituency election commission has arrived in accordance with section 4, Article 24 of this Law. Thereupon it issues the authorized person of the party (election bloc) or the initiative group of voters with a certificate confirming the registration of the nominee and a standard signature collection sheet.
3. The nominee may be registered as a candidate if his candidacy is supported by the signatures of no less than 100,000 Ukrainian citizens with the right to vote. The 100,000 must include no less than 1500 citizens in 2/3 of the total number of the constituencies.
4. The nominee, persons authorized by him, by the party or by the voter group have the right to receive signature sheets directly from the respective constituency election commission, this right to be confirmed by an appropriate certificate issued by the CEC. The CEC may also grant nominees the right to make copies of blank signature sheets themselves.

Article 26. *The signature sheet.*

1. The format of the signature sheet is approved by the CEC and must contain columns to be filled with the following data: the number of the signature, full name of the voter, his date of birth, permanent address, passport number or that of any other document verifying his identity, the voter's signature as well as any other data required by Article 2, section 1 of this law.

Article 27. *Procedure for collecting voter signatures in support of the nominee for president.*

1. Voters authorized to collect signatures in support of the nominee must indicate on the signature sheet the following data: full name of the nominee, his date of birth, profession, occupation, employment, permanent address, party affiliation as well as the collector's own full name, home address and phone number. Beside every signatory the signature-collector must enter the signatory's data, as provided for by Article 26 of this Law. The signature sheet is to be signed by the signature-collector.
2. An individual signature sheet should contain the signatures of residents of only one city (town, village).
3. A voter may support only one nominee with his signature.

Election commissions have the right to check the validity of signatures. If one and the same voter supported more than one nominee, all his signatures are considered invalid. Signatures that have been forged or collected under duress, are also invalid, the latter to be ascertained in a written complaint by the voter.

4. Signature sheets are submitted to the respective constituency election commission for registration no later than 50 days before election day. The constituency election commission may issue a certificate confirming registration of the signature sheets that have been submitted upon request.

Having ascertained that the signature sheets have been filled out in accordance with the requirements of this law, the constituency election commission is to draw up a protocol to this effect within 5 days and no later than the next day, send them together with the protocol to the CEC. The procedure for determining whether the signatures have been collected in a lawful manner is established by the CEC.

5. If it is determined that submitted signature sheets have not been filled out in conformity with the law, the constituency election commission notifies the persons who submitted them of its decision no later than within 3 days after their receipt. Corrected or additional signature sheets are to be submitted to the CEC not later than 45 days before election day.
6. The CEC draws up a separate protocol for each nominee, which reflects his support among the electorate as shown by the signatures collected, and makes it available to the nominee or the party's (election bloc's) authorized person, or the authorized person of the voter group within 2 days.

The constituency election commissions are to provide the nominee with information on the number of signatures received in his support upon his written request.

7. Only constituency election commission members have the right of access to the lists of voters supporting a particular nominee or in the event the case is brought to court, entities participating in the judicial process.

Article 28. *Registration of presidential candidates.*

1. Registration of candidates for president is granted by the CEC no later than 5 days after all the required documents have been submitted. The CEC decides on registration of presidential candidates if the following documents have been submitted:
 - A. the application by the party's governing body which nominated the contender signed by the authorized person of this body (leaders of the parties making up the bloc) or an application by the voter group of electors registered with the CEC as stipulated in Article 24, section 5 of this law on registration of the presidential candidates;
 - B. signature sheets with the required number of signatures in support of the contender;
 - C. the CEC protocol on results of the signature collection by voters in support of their contender;

- D. a declaration by the nominee stating his agreement to run for presidency;
- E. the nominee's program;
- F. the nominee's income statement for the previous year drawn up in accordance with the requirements established by the Ministry of Finance.

The above-mentioned documents (with the exception of those covered by items 2 and 3) should be submitted to the CEC no later than 40 days before election day.

- 3. The person who submitted the required documents is issued no later than on the next day a CEC certificate bearing the date and time when the documents were received. If the documents do not conform to the requirements of this law, the CEC should notify the person who submitted them within 3 days. The corrected documents should be submitted to the CEC no later than 35 days before election day.
- 4. The CEC makes a decision on registration of a nominee as a candidate for president within a week's time upon submission of all the documents, including corrected ones, mentioned in section 2 of this Article.

Registration of candidates is to be completed no later than 30 days before election day.

- 5. Within 2 days after registration, the CEC issues the candidate with an appropriate certificate.
- 6. The names of the registered candidates are numbered by the CEC in the order in which the documents have been received. No later than on the 5th day after the registration process is over, the CEC publishes in the press and announces in the mass media the list of presidential candidates with the indication in the order of registration their full names, year of birth, occupation, party affiliation, place of work and residence, and the number of his banking account set up to receive contributions toward his personal election fund.
- 7. The CEC's refusal to register a nominee as a candidate for president may be appealed to the Supreme Court of Ukraine by entities which nominated him. The Supreme Court makes a decision on the case within 3 days. The Supreme Court's decision is final.
- 8. A decision on the registration of the presidential candidate may be revoked by the Supreme Court upon receipt of a request to do so from the CEC, the party's (election bloc's) authorized person or the initiative group of voters which nominated him.

Article 29. *Income statement of a presidential candidate.*

- 1. The income statement of a candidate for president is completed according to the standard established by the Ministry of Finance. The candidate completes the statement and is responsible for the accuracy of the information given.
- 2. The CEC may request appropriate state bodies to review the income statement. If they find it contains any deliberately falsified information or anything deemed to be a grave violation of relevant laws, this is grounds to refuse registration of the nominee as

- presidential candidate. In case such facts are discovered after registration is granted, the CEC may appeal to the Supreme Court to invalidate the registration of the candidate in question in keeping with the procedure set forth in Article 28 of this Law.
3. Voters have the right of access to the income statements of the candidates for president. By the decision of the CEC income statements of all candidates are published in the newspaper "Holos Ukrainy".

Article 30. *Withdrawal of presidential candidates from the ballot*

1. A presidential candidate may withdraw his candidacy any time, having filed an appropriate written declaration with the CEC. In this case his name is crossed out from the list of candidates by the CEC.
2. In case of a candidate's death the CEC considers him to have withdrawn from the election, and his name is crossed out from the list of presidential candidates.
3. In case a presidential candidate violates relevant election laws, the CEC may appeal to the Supreme Court to invalidate registration of the candidate in question. If the Supreme Court of Ukraine decides to invalidate a registration, that candidacy shall be removed from the list of candidates for President of Ukraine and the candidate is regarded as having been removed from the balloting.
4. The CEC conveys information on the candidate's withdrawal to constituency election commissions, publishes it in the press and announces it via other mass media within 5 days after the decision has been made, but no later than 1 day before the elections.

CHAPTER 5. CAMPAIGNING

Article 31. *Conduct of pre-election campaign publicity by the candidates for president.*

1. The person receiving the candidate's registration certificate has the right to conduct the candidate's election campaign.
2. The rules for campaigning are set forth in Article 32 of the Law of the Ukraine "On Election of People's Deputies of Ukraine".
3. The CEC, acting through constituency election commissions, ensures the production of campaign posters of presidential candidates for each candidate no later than 20 days prior to the election. The number of copies is to exceed the number of polling stations within a given constituency by 8000. The production expenses are paid from the centralized fund for presidential elections. The above-referenced posters may be manufactured in a greater number at the expense of the candidate's personal election fund and from the materials provided by him if he makes an appropriate request.

To ensure the timely manufacture of campaign posters, a candidate's photos of the approved standard, his platform (program), an autobiography running for 4 pages of a printed one-and-a-half-spaced text are to be submitted to the CEC together with the

candidate's registration documents, no later than on the second day after registration to the constituency election commissions. These materials may not contain information which contains secrets protected by the law, false information, instigation of violence or commercial advertising. The CEC and constituency election commissions review the submitted materials, and if they conform with this law, agree with the candidate on the text of his campaign poster and ensure its printing.

4. Each candidate can produce other campaign materials at his own expense and within the limits of his personal election fund at his own discretion. Information provided in the above-referenced materials should conform with this law, and their texts before printing must be approved by the respective constituency election commission.
5. Local executive state bodies and bodies of local self-government set out campaign-advertising areas and boards in public places, ensure that appropriate materials manufactured by respective constituency election commissions are posted on them as well as announcements published by them pertaining to the campaigning and presidential candidates as envisioned by this law. They may forbid to place such materials on certain buildings which are architectural monuments or for reasons of traffic safety.
6. Restrictions with regard to campaigning are set forth in Article 35 of the Law of Ukraine "On Elections of People's Deputies of Ukraine" with the exception of section 3 of that article.

Article 32. *Using state mass media for the purposes of campaigning.*

1. Presidential candidates are granted the right to use state mass media free of charge by providing them with equal and commensurable time on the air on the state radio and TV and local mass media within a given constituency.

The extent and time of radio and TV programs allotted for the campaigning purposes of presidential candidates is set at a national level by the CEC and on the constituency level by constituency election commissions acting in agreement with the managers of local mass media.

2. Presidential candidates have a right to place the text of their program of no more than 2 pages in print mass media founded by state bodies of authority.
3. Election commissions pay for the campaign time on state radio and TV, the printing of election posters and publication of programs (platforms) of presidential candidates in print mass media founded by local bodies of state authority and self-government from the finances allocated for the elections from the centralized fund for presidential elections.
4. Spending for the campaign in other print mass media (newspapers) and non-state mass media is limited to the size of the candidate's personal fund, the terms of payment being equal for all candidates.

Article 33. *The presidential candidate's personal fund.*

1. Each candidate for president may have a personal fund. The personal fund is formed from the candidate's personal resources, finances of political parties, contributions from Ukrainian citizens, legal persons registered in Ukraine with the exception of state enterprises, state bodies, institutions and organizations, bodies of local self-government as well as foreign citizens and legal persons and enterprises with foreign investments. Any agreements or contracts between a contributor and a candidate, party (election bloc) with regard to money to be credited to the candidate's personal fund, are invalid.
2. The size of the candidate's personal fund may not exceed 10,000 minimal salaries. The size of contributions from one legal or physical person may not exceed 100 minimal salaries.
3. Following written request from the presidential candidate, the Bank of Ukraine in the area of the CEC must open an account in his name under the heading "The election fund".
4. Election commissions, financial institutions and banks with which the account was opened control the contributions to and expenditures from the presidential candidate's personal election fund. Upon the candidate's request, the bank gives him full information on the size and sources of contributions to his personal election fund.
5. When the contributions to the candidate's personal fund reach the maximum set by the law, the CEC notifies voters thereof via mass media within 3 days.
6. The candidate, as well as his entrusted and authorized persons are prohibited from obtaining or spending their own money for campaigning purposes outside the candidate's personal fund.
7. Citizens' participation in the election campaign is not considered as paid employment even if it involves the expenditure of personal finances or work on a civic basis in the time free from principal employment.
8. If contributions are made to the candidate's personal election fund by a physical or legal person who in accordance with this law does not have the right to make such contributions and also in cases of anonymous contributions made through other persons, or if the contributor's address is absent, these contributions are credited to the centralized fund for the presidential elections.
9. Money or that part of it which was contributed to the candidate's fund beyond the limits imposed by this law, is to be returned to the contributor.
10. Money remaining in the candidate's personal fund after his election as President of Ukraine or withdrawing from the election are credited to the centralized fund for presidential elections.
11. If a candidate who was not elected at the presidential election and if the elections were determined invalid or as such that had not take place is registered as a presidential candidate for repeat elections, he has the right to dispose of the funds remaining in his personal election fund on condition that the grounds on which the elections were invalidated are not attributable to the candidate's actions or those of his campaign

agents or authorized persons.

12. A candidate may refuse to accept the money that came from a contributor. In such a case, he files a declaration to this effect with the institution where the account for his personal election fund was opened. This money is then returned by the above-referenced institution to the contributor at his expense and is not counted towards the maximal permissible size of the candidate's personal election fund.
13. In the event that a presidential candidate violates the requirements of this law with the regard to financial or material support, he may be removed from the ballot as stipulated by this law.

CHAPTER 6. GUARANTEES FOR THE ACTIVITY OF PRESIDENTIAL CANDIDATES AND OTHER PARTICIPANTS IN THE ELECTIONS

Article 34. *The presidential candidate's rights in the conduct of the election campaign.*

1. Presidential candidates, from the time of their registration by the CEC, take part in the election campaign on an equal basis and have equal rights to the use of state mass media on the territory of Ukraine.
2. All registered candidates for president are provided with equal opportunities regarding material and financial provision of their participation in the elections.
3. Registered candidates for president, during the time of the election campaign, have the right to be released from their current employment. Their compensation equals their average salary at their place of work, this to be paid from the funds allocated for the elections.
4. Presidential candidates have the right to travel using all means of public transportation free of charge on the territory of Ukraine with the exception of taxi.
5. Presidential candidates may not be dismissed from their place of work at the time of the election campaign or demoted (promoted) without their consent.
6. Presidential candidates may not be charged with any criminal or administrative violations without the consent of the CEC.

Article 35. *Campaign agents (entrusted persons) of the presidential candidates.*

1. The presidential candidate may have up to 30 campaign agents who help him in the conduct of his election campaign, campaign for his election as president, represent his interest in dealings with state bodies, bodies of local self-government, citizen associations, voters and election commissions.

2. The presidential candidate chooses his campaign agents at his discretion and informs the CEC of his choices which upon registration issues them with an appropriate certificate. The presidential candidate has the right to replace any of his campaign agents at any time.
3. The registered campaign agents may be released from their current employment for the time of the election campaign. Their pay will equal the average monthly salary at their permanent place of work. Compensation to their enterprises and expenses for their business trips within Ukraine is covered from the funds allocated for the elections.

Article 36. *Participation of campaign agents and other electoral entities in the work of election commissions.*

1. Campaign agents of presidential candidates and other persons mentioned in Article 7, section 4 of this law take part in the meetings of election commissions, during the registration of presidential candidates, voting, the vote count at the polling station, the tabulation of election results within a constituency and the announcement of the results of the presidential elections. The mandates of the aforementioned representatives are established in keeping with the procedure set in this law, and are certified by an appropriate document. The said persons may not interfere with the work of election commissions.
2. In case the persons mentioned in section 1 of this Article observe any violations of election laws, they have the right to produce a written declaration to this effect to be signed by the person (persons) who observed out the violations and voters who witnessed the violations and appeal to an appropriate election commission to resolve the violations mentioned. The act and the declaration are to be registered with the commission.

Article 37. *Liability for violations of the presidential election law.*

1. Persons who in any way inhibit the rights of Ukrainian citizens to vote and be elected president of Ukraine, and conduct the campaign by way of violence, threats of violence, fraud or otherwise, publicly call for or incite the boycott of elections, as well as members of election commissions or civil servants who forge election documents, deliberately miscount the ballots, violate the secrecy of voting or commit any other violation of this law are legally responsible for their deeds.
2. Persons who publish or circulate deliberately falsified information about a presidential candidate shall be accountable for their deeds.

CHAPTER 7. THE CONDUCT OF BALLOTING AND TABULATION OF GENERAL RESULTS AT THE PRESIDENTIAL ELECTIONS

Article 38. *The ballot.*

1. The format and text of the ballot for the presidential elections is established by the CEC.

The ballot must conform to the requirements set in Article 39 of the Law of Ukraine "On Elections of People's Deputies of Ukraine".

Article 39. *The organization of voting and the order of counting the ballots at the polling stations.*

1. The time and place, the organization of and procedure for voting and the vote count, and the terms under which early voting takes place are set in the Law of Ukraine "On Elections of People's Deputies of Ukraine".

Article 40. *Tabulation of election results within a single constituency.*

1. The results within a single constituency are tabulated in keeping with the procedure established in Article 43, sections 1 and 2 of the Law of Ukraine "On Elections of People's Deputies of Ukraine", the right of candidates as to receive copies of the protocol to be drawn up by the constituency election commission excepted. The number of copies of the above-referenced protocol is established by the CEC.

Article 41. *Determination of the general results of the presidential elections.*

1. The CEC, based on the protocols of constituency election commissions, determines the general election results no later than one week after the elections.
2. For the presidential elections to be considered valid, more than 50% of the voters on the voter list must participate in the elections.
3. The elections are considered invalid if 50% or less of the voters on the voters list participate, as well as in the case when all registered candidates withdraw.
4. A candidate is considered legitimately elected President if he receives more than 50% of the votes of the electorate which participated in the elections.
5. The presidential elections will be considered invalid if during the process, violations took place which substantially affected the outcome of the elections.
6. The announcement of general results of the presidential elections are published by the CEC within 3 days from the moment the final protocol is signed.

Article 42. *Repeat voting*

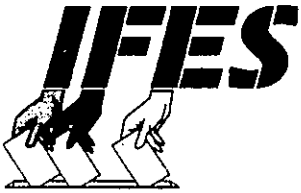
1. If more than 2 candidates were listed on the ballot and none of them was elected, the CEC organizes repeat voting between the 2 candidates receiving the greatest number of votes, excepting those candidates who withdrew after the first round. If as a result of withdrawals only one presidential candidate remains, the repeat voting will take place with only this one candidate running.
2. Repeat voting takes place within two weeks after election day and in keeping with the requirements of this law. The date of the repeat voting is published in the press.
3. The candidate is considered legitimately elected President if, as a result of the repeat voting, he received more votes than the other candidate and on condition that the votes cast for him exceed those cast against him. If in the repeat voting there is only one candidate running, he is considered elected President of Ukraine if the majority of the voters who took part in the elections voted for him.

Article 43. *Invalidation of the presidential election results.*

1. An appeal to invalidate the presidential election results may be lodged with the CEC by presidential candidates, authorized persons of the parties (election blocs) who nominated presidential candidates, as well as by the Prosecutor General of Ukraine within 10 days after the election results have been published by the CEC.
2. A decision to invalidate the election results is made by the CEC. This decision may be appealed by persons mentioned in section 1 of this Article in an appeal to the Supreme Court of Ukraine within 10 days after it was published.

Article 44. *Repeat elections.*

1. If during the presidential election two presidential candidates ran and none of them was elected, or in case the elections were considered not to have taken place or their results were invalidated, or if President was not elected as a result of repeat voting, the CEC requests the Verhovna Rada of Ukraine, within 10 days after the election results have been announced, to schedule repeat elections whereby new candidates will be nominated.
2. The Verhovna Rada shall schedule repeat presidential elections within 2 months from the date of the general elections.
3. Nomination and registration of candidates for president and other activities related to the conduct of repeat presidential elections are carried out according to the procedure set forth in this law. By the decision of the CEC, repeat elections may be conducted by the previously formed constituency election commissions and polling stations commissions.
4. Announcements regarding the conduct of repeat presidential elections are published in the press and made via other mass media.



International Foundation for Electoral Systems
Міжнародна Фундація Виборчих Систем

Institutska 27/6, Suite 5, 2nd fl., Kiev, Ukraine • Phone (044) 293-6000 • Fax (044) 293-8029

**THE ELECTION LAW OF UKRAINE
ON THE ELECTION OF
THE PRESIDENT OF UKRAINE**

**Article 45. *Certification of the elected Ukrainian
President.***

The CEC shall issue the elected candidate a
certificate confirming his election as
President of Ukraine.



PRESIDENT OF UKRAINE
LEONID MAKAROVYCH KRAVCHUK
KIEV, UKRAINE
FEBRUARY 24, 1994



International Foundation for Electoral Systems
Міжнародна Фундація Виборчих Систем

Institutska 27/6, Suite 5, 2nd fl., Kiev, Ukraine • Phone (044) 293-6000 • Fax (044) 293-8029

POLLING STATION OBSERVATION FORM

Observer's Name and Delegation _____

Polling Station Number and Location _____

Time of Arrival _____ Time of Departure _____

Conditions at or near Polling Station _____

Chairman's Name _____ Number of Commission Members _____

Commission Efficiency/Orderliness of voting _____

Party, Candidate, Labor Collective, Voter, Representatives _____

Process of Voter Identification/Voters List _____

Number of Registered Voters _____ Number Who Have Voted _____

Number Voting Prior to Election Date (Absentee) _____

Ballot Authentication/Distribution/Security _____

Voting Secrecy/Ballot Boxes _____

Voters Needing Assistance _____

Spoiled Ballots _____

Mobile Ballot Boxes/Number of Requests _____

Problems/Complaints _____

Voter Comments _____

Observer Remarks _____

(Use other side if necessary)





International Foundation for Electoral Systems
Міжнародна Фундація Виборчих Систем

Institutska 27/6, Suite 5, 2nd fl., Kiev, Ukraine • Phone (044) 293-6000 • Fax (044) 293-8029

COUNTING AND TABULATION OBSERVATION FORM

Observer's Name and Delegation _____

Polling Station Number and Location _____

Chairman's Name _____ Number of Commission Members _____

Party Candidates and Representatives _____

Number of Registered Voters _____ Number Who Have Voted _____

Number Voting Prior to Election Date (Absentee) _____

Time of Closing _____ Orderliness _____

Voters Waiting at Closing _____

Voiding of Unused Ballots _____

Ballot Box Seals/Opening/Verification Document _____

Invalid Ballots _____

Reasons for Invalidation _____

(record results on back)

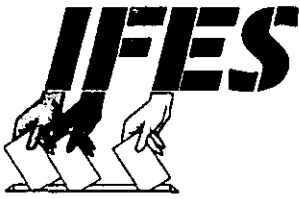
Transmittal of Minutes _____

Problems/Complaints _____

Observer Remarks _____

Beginning Time of Counting _____ Tabulation and Reporting _____





International Foundation for Electoral Systems
Міжнародна Фундація Виборчих Систем

Institutska 27/6, Suite 5, 2nd fl., Kiev, Ukraine • Phone (044) 293-6000 • Fax (044) 293-8029

QUESTIONNAIRE

**IN PREPARATION FOR THE PRESIDENTIAL AND LOCAL ELECTIONS SCHEDULED FOR
JUNE 26, 1994 AND REPEAT ELECTIONS, SCHEDULED FOR JULY 24, 1994,
THE INTERNATIONAL FOUNDATION FOR ELECTORAL SYSTEMS (IFES) IN UKRAINE
SEEKS YOUR ADVICE!**

*Your comments will better serve the needs of the international community
and NGOs actively involved in elections and democracy building in Ukraine.*

In the following space provided, please write any suggestions you may have as to
how IFES can better assist in your work related to the electoral and political process in Ukraine.

If you require additional space, please attach an additional sheet of paper.

**PLEASE FILL OUT THE FOLLOWING SO IFES UKRAINE MAY INCLUDE
YOU ON ITS REGULAR DISTRIBUTION LIST AND UPDATE ITS DISTRIBUTION LIST**

Name _____ Title _____

Organization _____

Tel. No. _____ Fax No. _____

Address _____

On a separate sheet of paper, please let IFES Ukraine know your comments and
if you received IFES material on the Parliamentary Elections in Ukraine.

**THANK YOU FOR TAKING THE TIME IN FILLING OUT THIS QUESTIONNAIRE.
PLEASE FAX THIS COMPLETED QUESTIONNAIRE TO IFES UKRAINE BY JULY 1, 1994 AT (044) 293-8029.
IFES PLANS TO USE YOUR COMMENTS TO IMPROVE THE EFFICIENCY
OF THE DISSEMINATION OF INFORMATION RELATING TO UKRAINE'S ELECTORAL PROCESS.**



FILES IFES PRESIDENTIAL
NIS ELECTION GUIDE
.U4 BOOK
IFES
1994
no.2

FILES IFES
NIS PRESIDENTIAL
.U4 ELECTION GUIDE
IFES BOOK
1994
no.2

DATE	ISSUED TO

**NATIONAL ENDOWMENT FOR DEMOCRACY
LIBRARY**

DEMCO